

PRODUCT NUMBER  
**46636020B01**

CATALOG NUMBER  
V-5636 FRAME  
V-6636 COVER

**MANHOLE  
ASSEMBLY**

LOAD RATING  
**HEAVY DUTY**

COATING  
**UNDIPPED**

MATERIAL SPECIFICATION  
COVER - GRAY IRON  
ASTM A48 CL35B  
FRAME - GRAY IRON  
ASTM A48 CL35B

OPEN AREA  
N/A

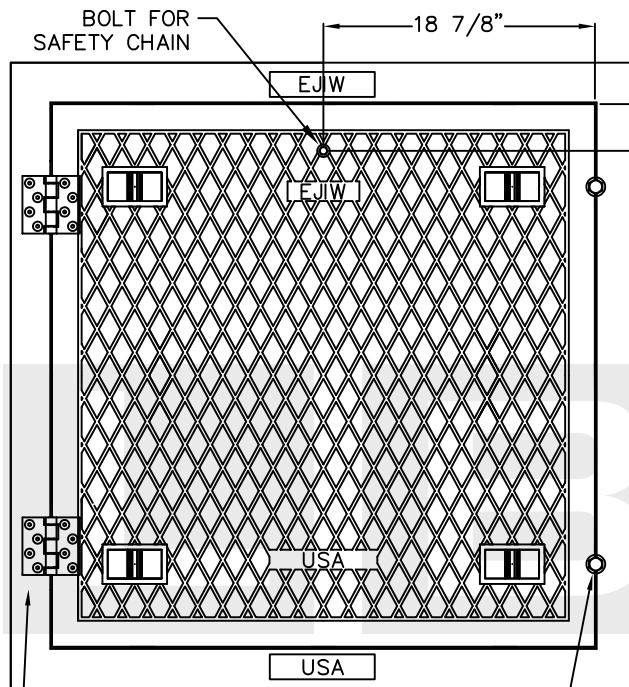
√ DESIGNATES MACHINED SURFACE

DRAWN GAD DATE  
03/12/09

LAST REVISED DATE

REFERENCE INFORMATION

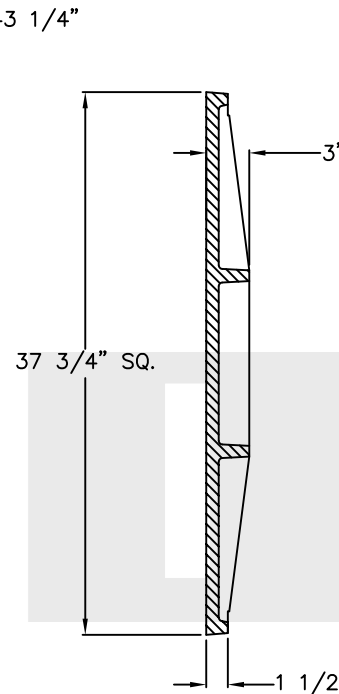
45636010  
46636020



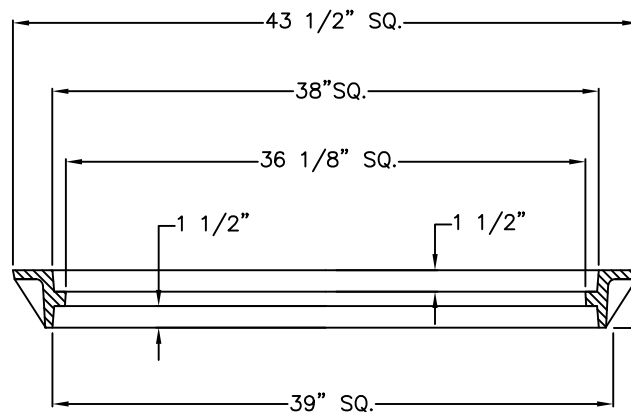
(2) 1/2" SECURITY BOLTS

**FRAME & COVER TOP VIEW**

(2) S.S. HINGES W/(8) 1/2"-13 X 1"  
S.S. BOLTS PER HINGE



**COVER SECTION**



**FRAME SECTION**

