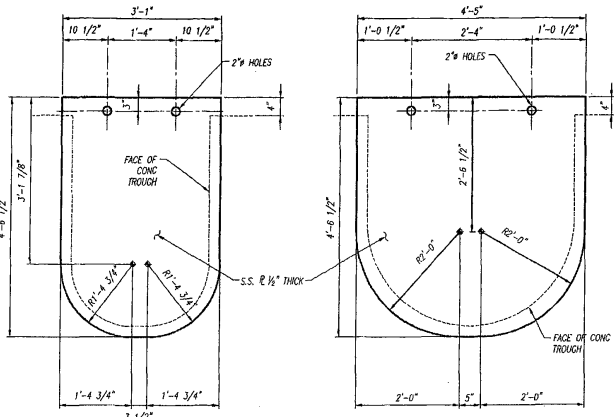


48" STOP LOG NOTCH EMBED PLATE

1" = 1'-0"

9 S-6



27" STOP LOG PLATE

VERIFY SIZE & SHAPE OF SKEWED STOP LOG PRIOR TO FABRICATION

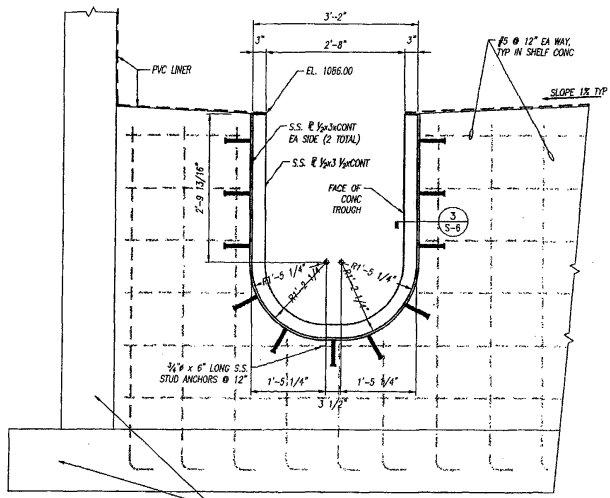
NOTES:

1. ALL STAINLESS STEEL SHALL BE TYPE 316L. VARIATION FROM STRAIGHTNESS OF ASSEMBLED NOTCH SHALL NOT EXCEED 1/4".
2. CONTRACTOR SHALL FIELD VERIFY ALL DIMENSIONS PRIOR TO FABRICATION OF ANY STOP LOGS AND NOTCH ASSEMBLIES.

STOP LOG PLATES

1" = 1'-0"

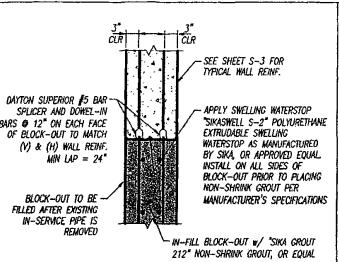
4 S-6



27" STOP LOG NOTCH EMBED PLATE

1" = 1'-0"

10 S-6



LAMPHOLE DETAIL

NOT TO SCALE

STOP LOG LAYOUT

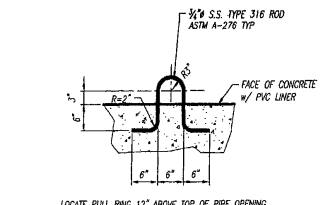
1/2" = 1'-0"

CAST-IN LIFT-EYE

1" = 1'-0"

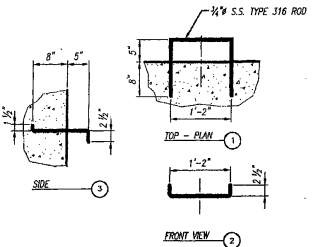
CAST-IN STOP LOG NOTCH

3" = 1'-0"



CAST-IN PULL RING

1" = 1'-0"



CAST-IN LADDER RUNG

1" = 1'-0"

SANTA CLARITA VALLEY SANITATION DISTRICT
 OF LOS ANGELES COUNTY, CALIFORNIA
 DESIGNED BY: W. WILSON
 DRAWN BY: J. WILLIAMS
 CHECKED BY: J. WILLIAMS
 REVISIONS:

NO.	DATE	DESCRIPTION

DISTRICT 32 MAIN RELIEF TRUNK SEWER,
 SECTION 1A EXTENSION - PHASE II
JUNCTION STRUCTURES No. 1 & No. 2
STRUCTURAL DETAILS

SCALE: 1" = 1'-0"

SHEET NO. 22

OF 22 SHEETS

S-6

DWL NO. SC-p-3

P:\07\10707\10707.dwg (07/10/08) Aug 28, 2008 - 2:27pm