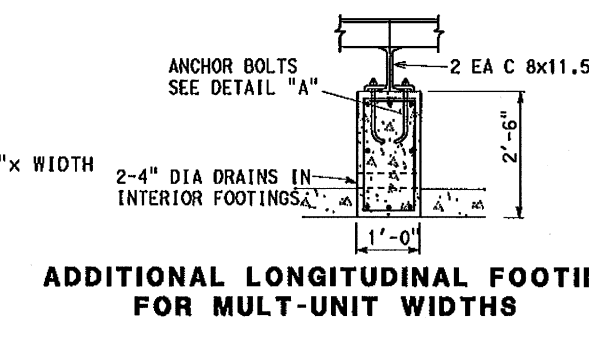
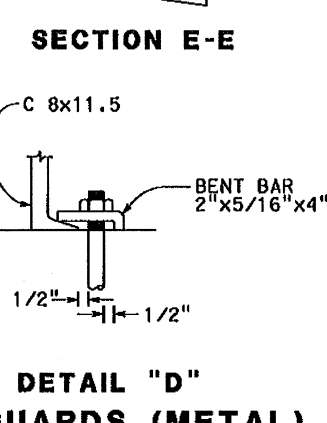
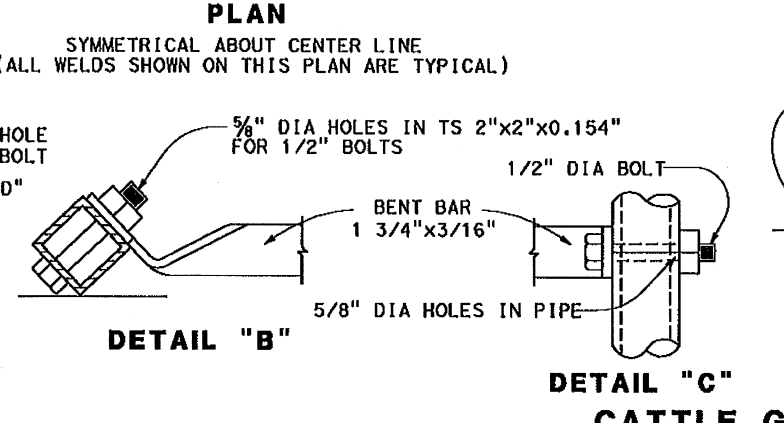
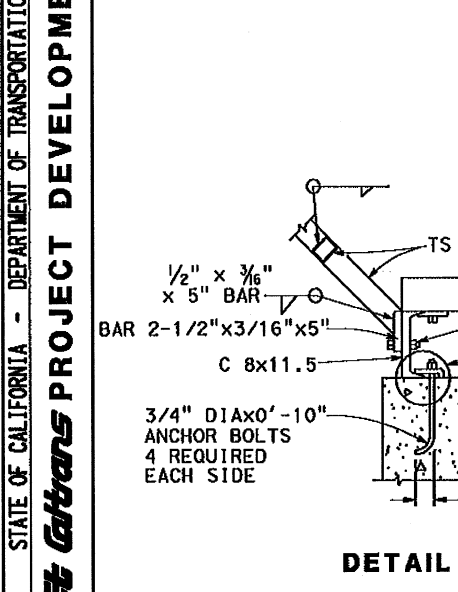
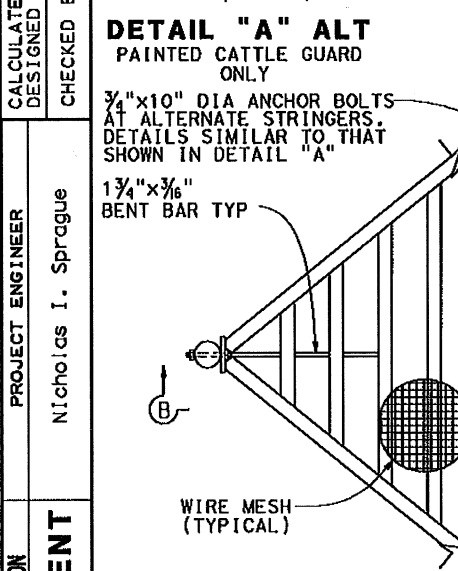
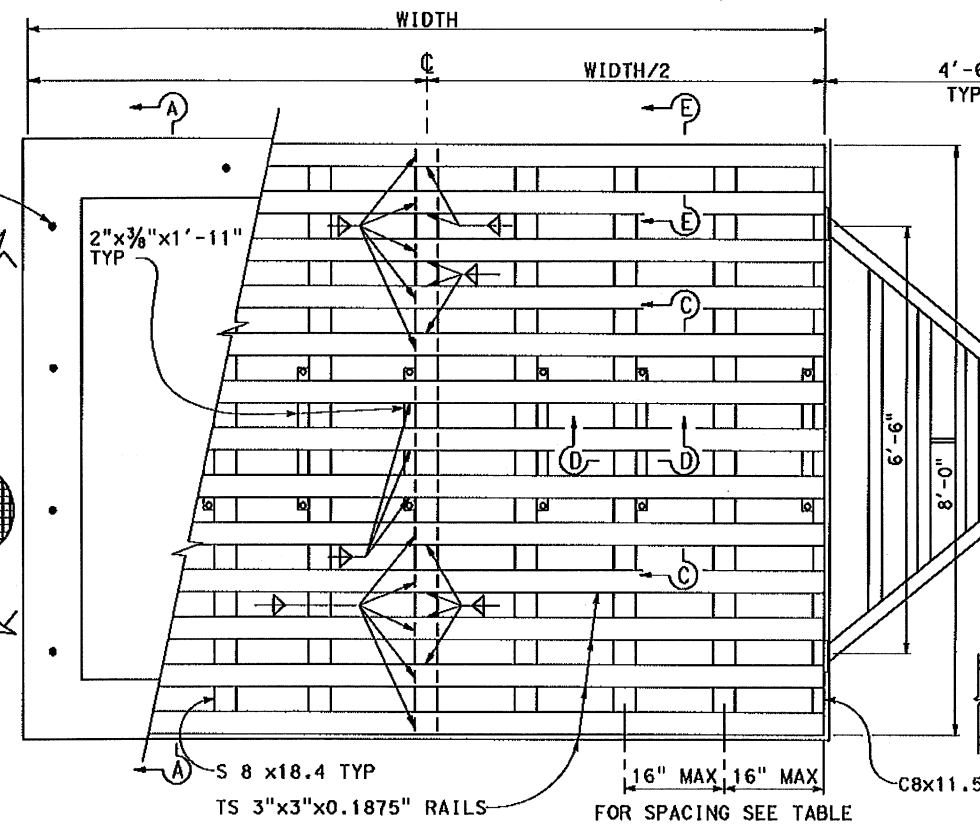
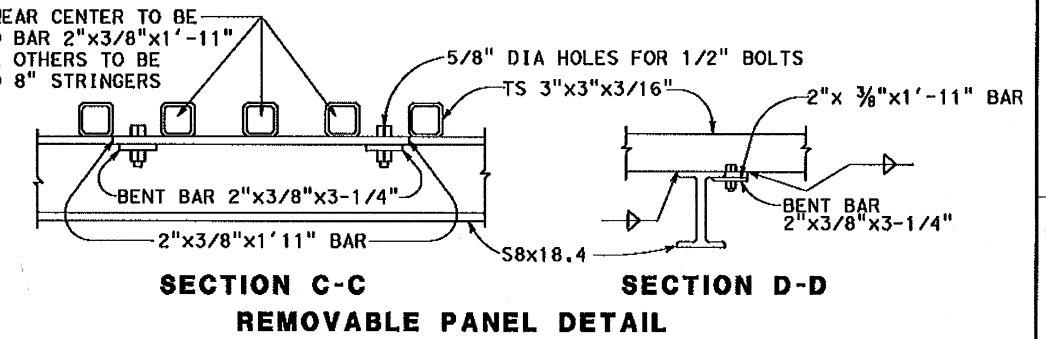
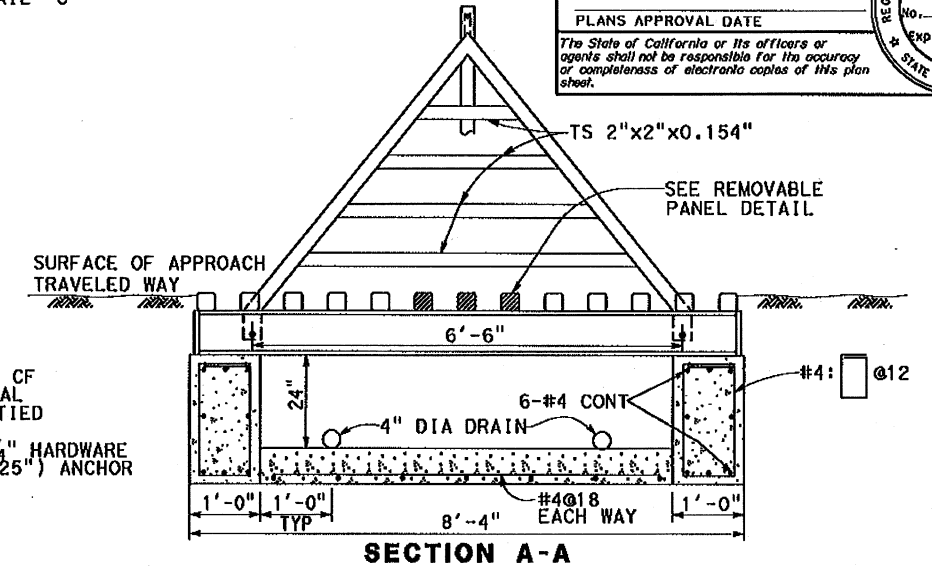
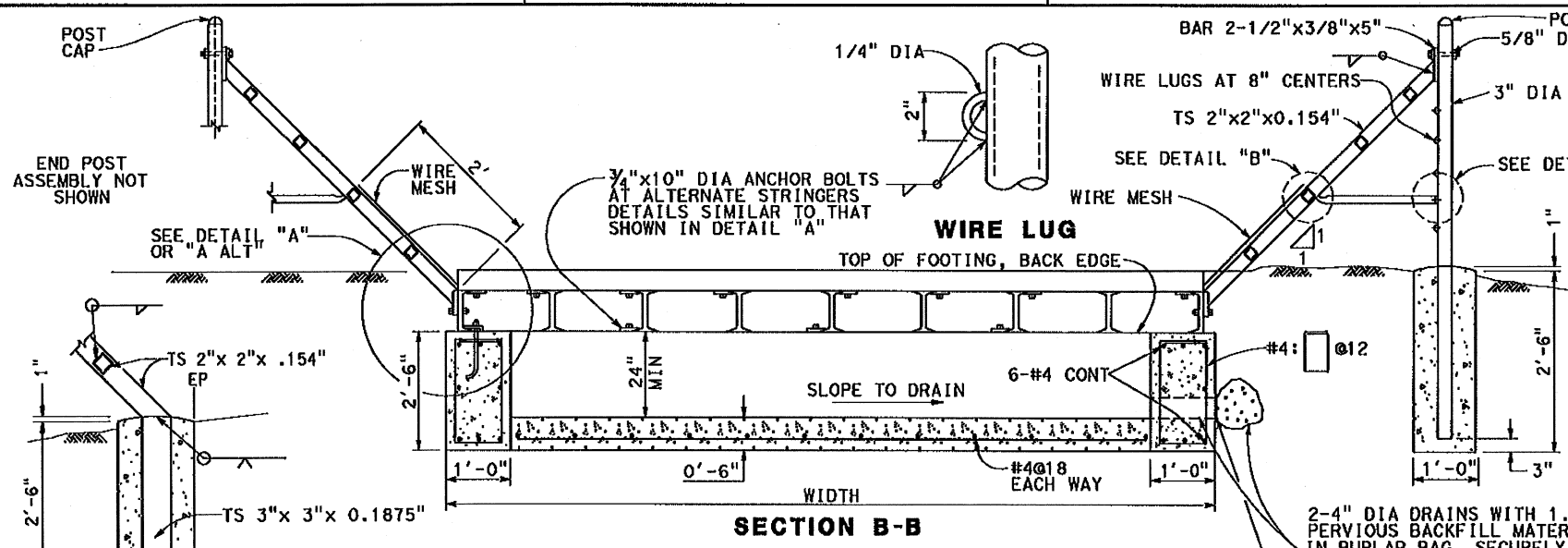


| | | | | | |
|------|--------|-------|--------------------------|-----------|--------------|
| DIST | COUNTY | ROUTE | POST MILES TOTAL PROJECT | SHEET NO. | TOTAL SHEETS |
| 09 | Iny | 395 | R104.6/122.5 | 1 | 1 |

REGISTERED CIVIL ENGINEER DATE _____
 PLANS APPROVAL DATE _____
 The State of California or its officers or agents shall not be responsible for the accuracy or completeness of electronic copies of this plan sheet.

REGISTERED PROFESSIONAL ENGINEER
 Kuman P. Dent
 No. 34556
 Exp. 09-30-09
 CIVIL
 STATE OF CALIFORNIA



| FRAME SIZE | | LONGITUDINAL STRINGERS | | |
|------------|--------|------------------------|----------|----------|
| LENGTH | WIDTH | No | SIZE | SPACING |
| 8'-0" | 8'-0" | 5 | S 8x18.4 | 14 1/16" |
| 8'-0" | 10'-0" | 6 | S 8x18.4 | 16" |
| 8'-0" | 12'-0" | 8 | S 8x18.4 | 15 5/16" |
| 8'-0" | 14'-0" | 9 | S 8x18.4 | 16" |
| 8'-0" | 20'-0" | 14 | S 8x18.4 | 15 7/16" |
| 8'-0" | 28'-0" | 20 | S 8x18.4 | 15 7/16" |

- GENERAL NOTES**
- LIVE LOADING: H20
 - REINFORCED CONCRETE: F'c=3250 psi
 - BAR REINFORCEMENT: fy=40,000 psi OR 60,000 psi
 - STRUCTURAL STEEL: ASTM: A36
 - FOOTING PRESSURE: DESIGN, 3,000 LB/SQFT
 - ALTERNATIVE DESIGN MAY BE SUBSTITUTED BY THE CONTRACTOR FOR APPROVAL BY THE ENGINEER
 - ALL CONCRETE TO BE CLASS 2
 - GRADES TO BE ESTABLISHED BY THE ENGINEER
 - ALL BOLTS SHALL HAVE ONE NUT AND ONE LOCKNUT
 - WARP CROWN APPROACHES TO MEET PLANE OF SINGLE FRAME WIDTH. DOUBLE FRAME WIDTHS SHALL BE SET TO THE CROSS SLOPES OF THE APPROACH TRAVELED WAY.

CONSTRUCTION DETAILS
 NO SCALE
CCO # 8

DATE REVISION BY DATE REVISION BY
 CALCULATED/DESIGNED BY CHECKED BY
 PROJECT ENGINEER
 Nicholas I. Sprague
 STATE OF CALIFORNIA - DEPARTMENT OF TRANSPORTATION
Caltrans PROJECT DEVELOPMENT

FOR REDUCED PLANS ORIGINAL SCALE IS IN INCHES
 0 1 2 3

USERNAME => s127067
 DGN FILE => 92144U_CCO_Cattleguard.dgn
 CU 09230
 EA 2144U1

LAST REVISION
 09-03-08
 DATE PLOTTED=>
 04-SEP-2008
 TIME PLOTTED=>
 13:30