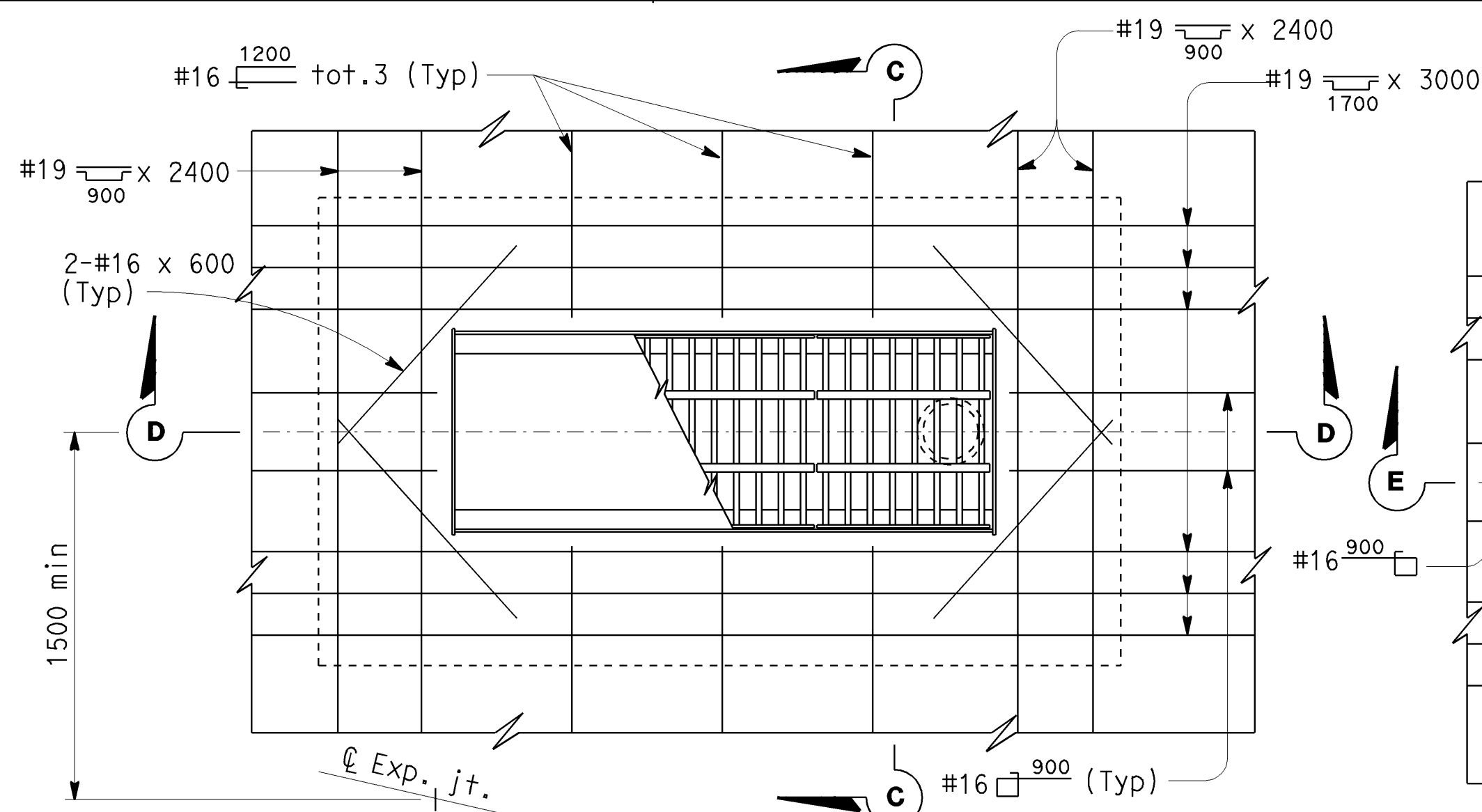




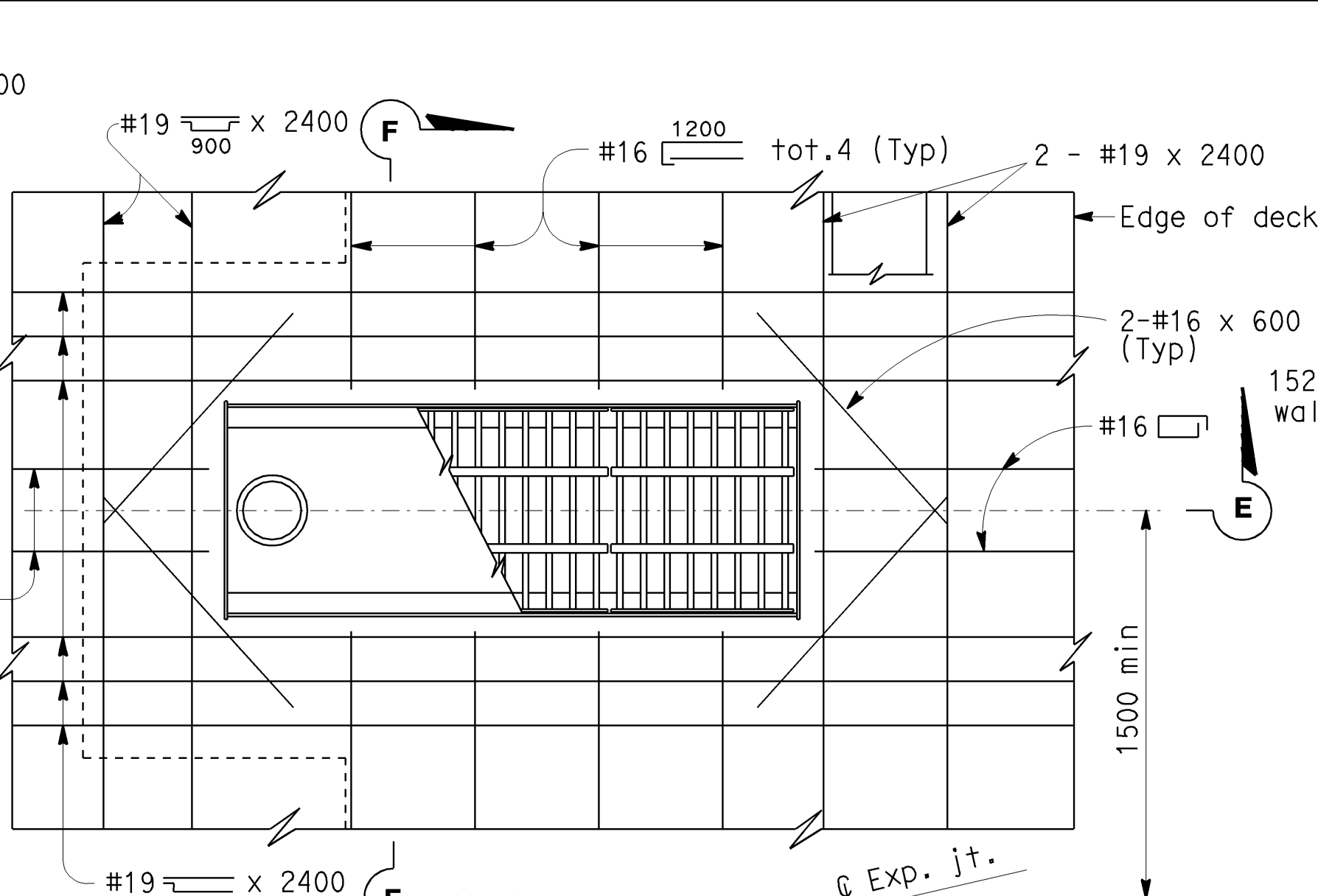
DIST.	COUNTY	ROUTE	KILOMETER POST TOTAL PROJECT	SHEET NO.	TOTAL SHEETS

REGISTERED ENGINEER - CIVIL	
PLANS APPROVAL DATE	

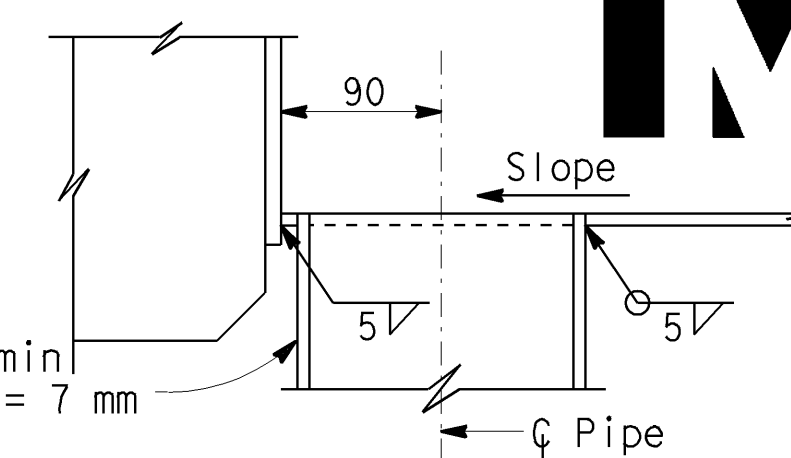
The State of California or its officers or agents shall not be responsible for the accuracy or completeness of electronic copies of this plan sheet.



PLAN - MEDIAN INSTALLATION

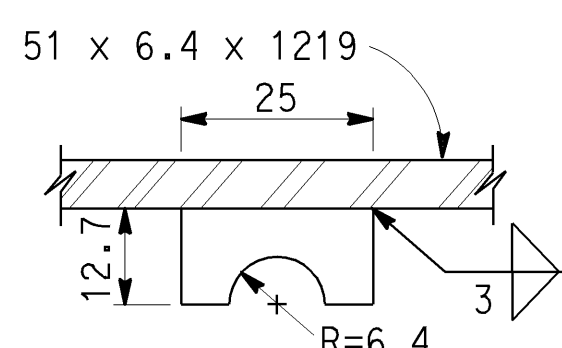


PLAN - CURB INSTALLATION



PIPE SECTION

Notes: Galvanize deck drain assembly after fabrication. Reinforcement shown at drains is to be placed in addition to typical slab reinforcement. Typical slab reinforcement not shown



LOCK BAR

9.5 mm bent threaded rod with 1 hex nut & 32 mm O.D. washer. Tack weld nut to rod

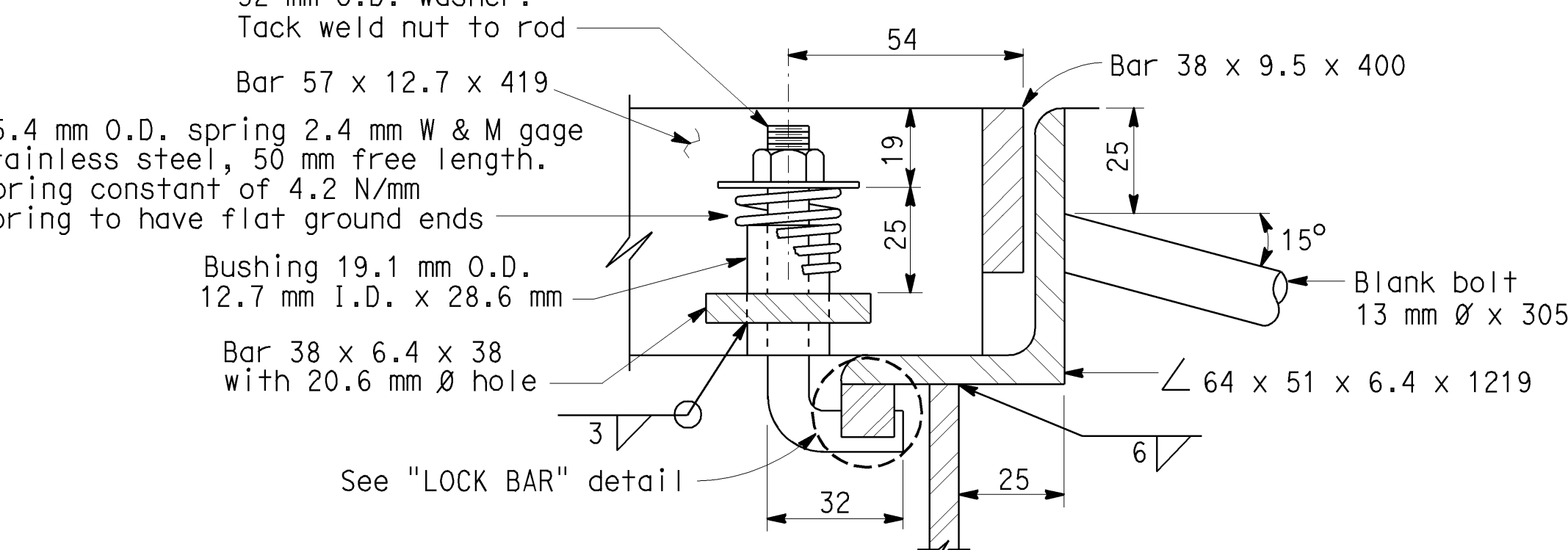
Bar 57 x 12.7 x 419

25.4 mm O.D. spring 2.4 mm W & M gage stainless steel, 50 mm free length. Spring constant of 4.2 N/mm. Spring to have flat ground ends

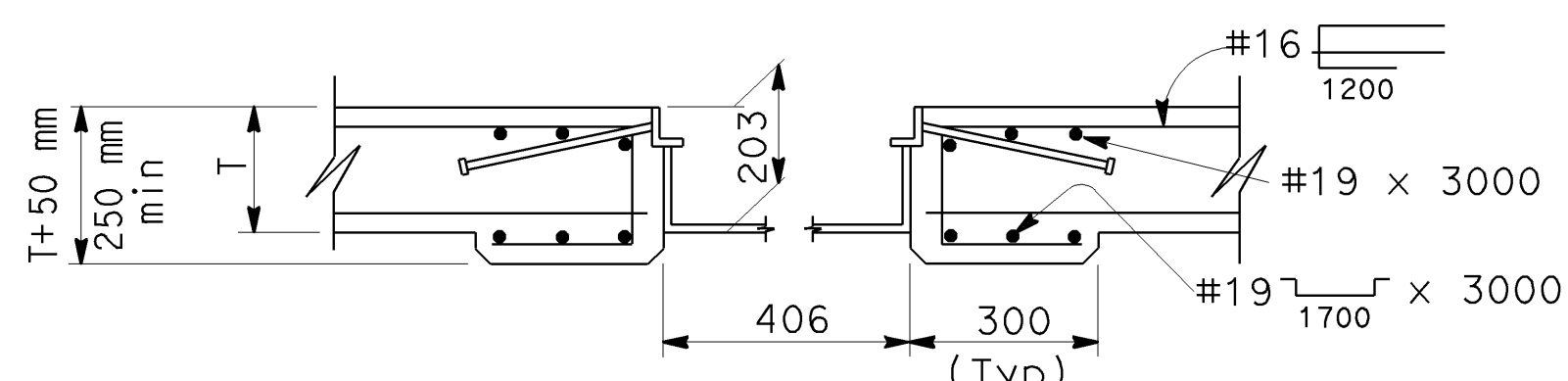
Bushing 19.1 mm O.D. 12.7 mm I.D. x 28.6 mm

Bar 38 x 6.4 x 38 with 20.6 mm Ø hole

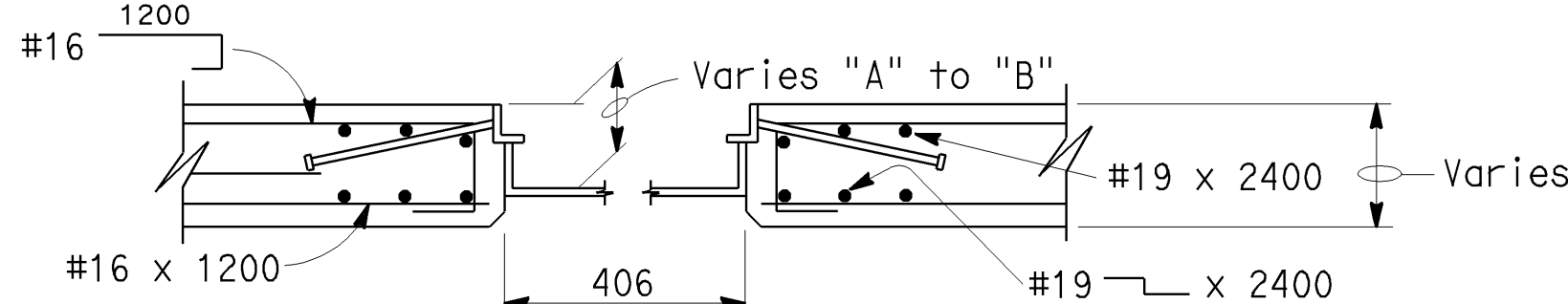
See "LOCK BAR" detail



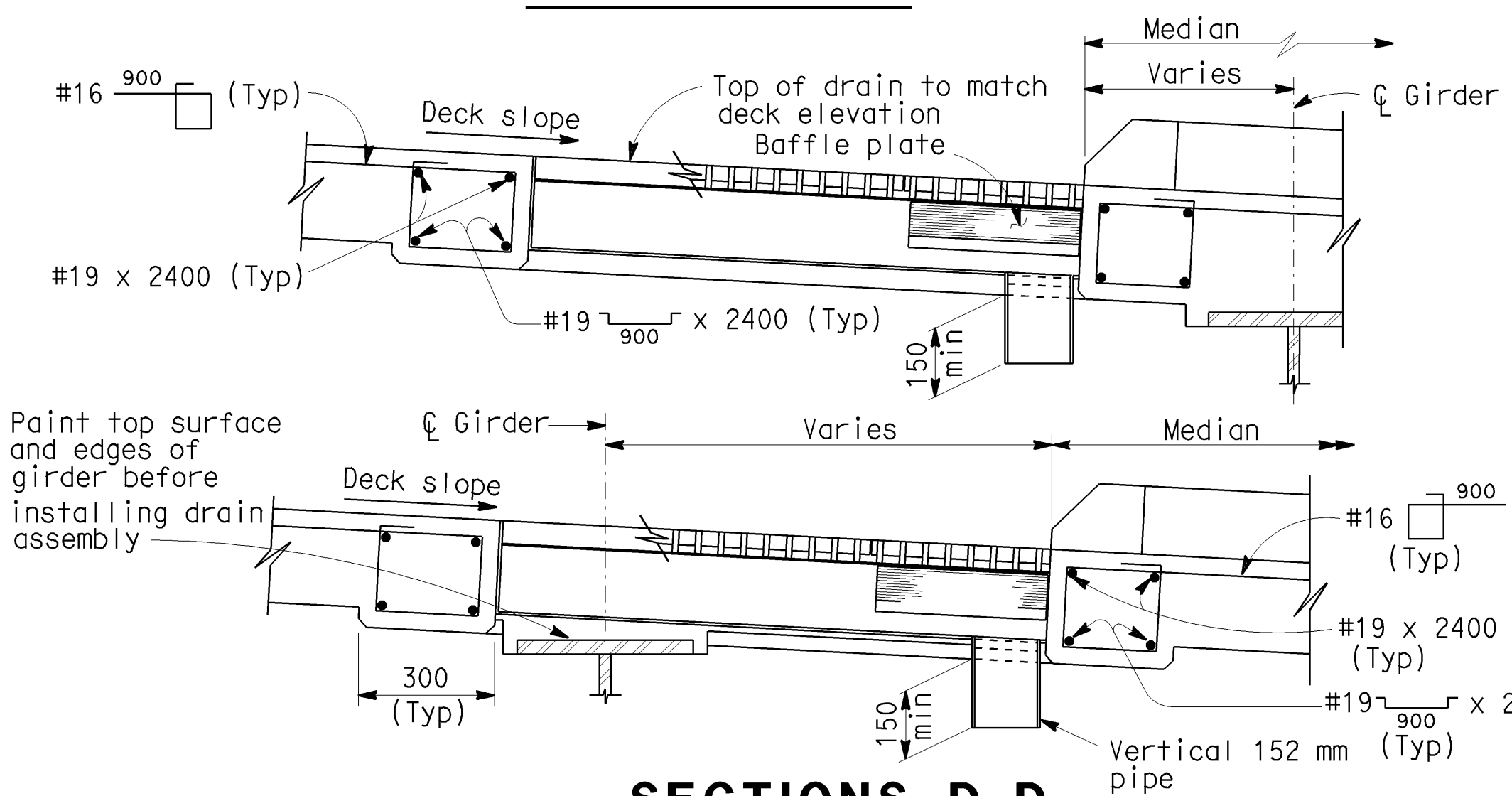
DETAIL A



SECTION C-C

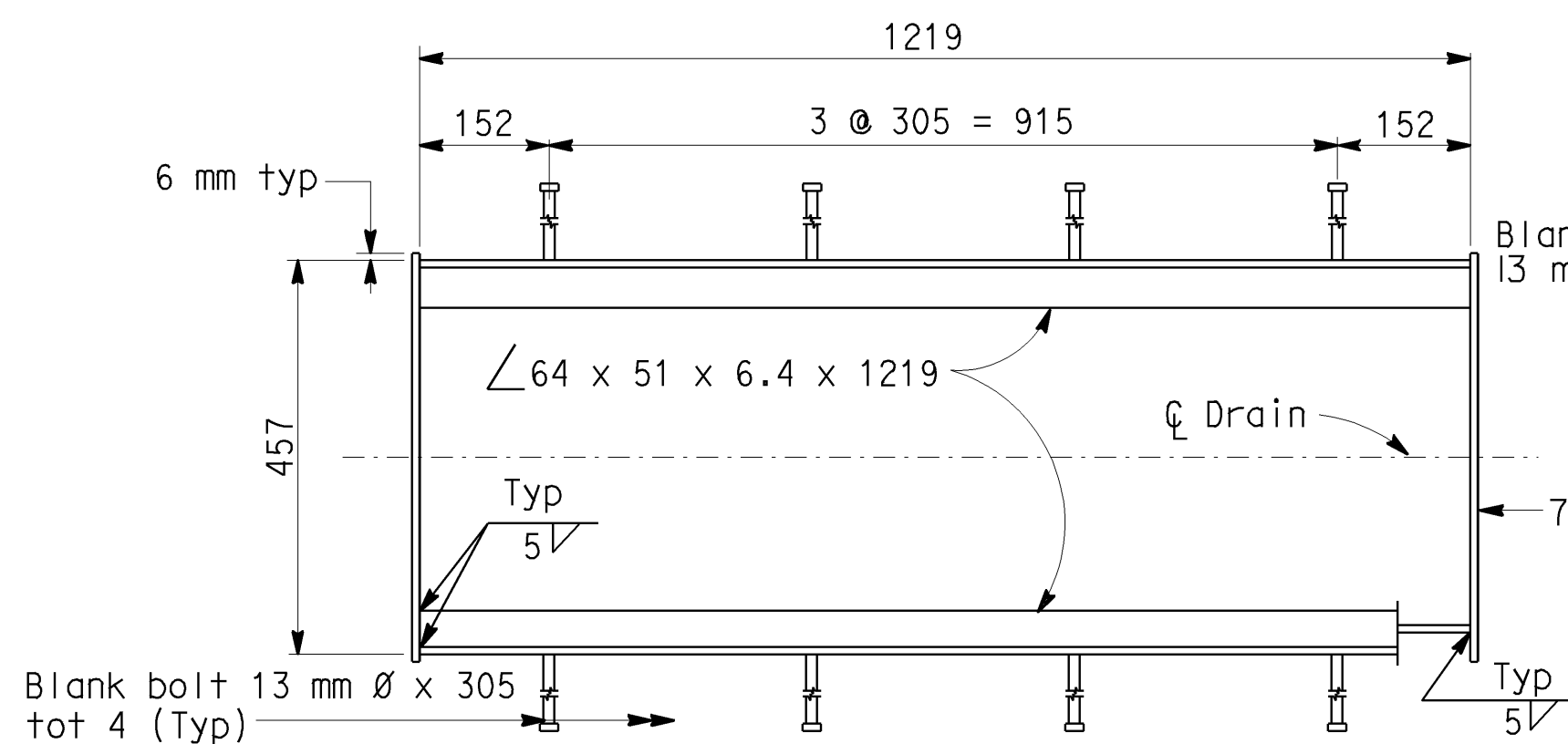


SECTION F-F



SECTIONS D-D

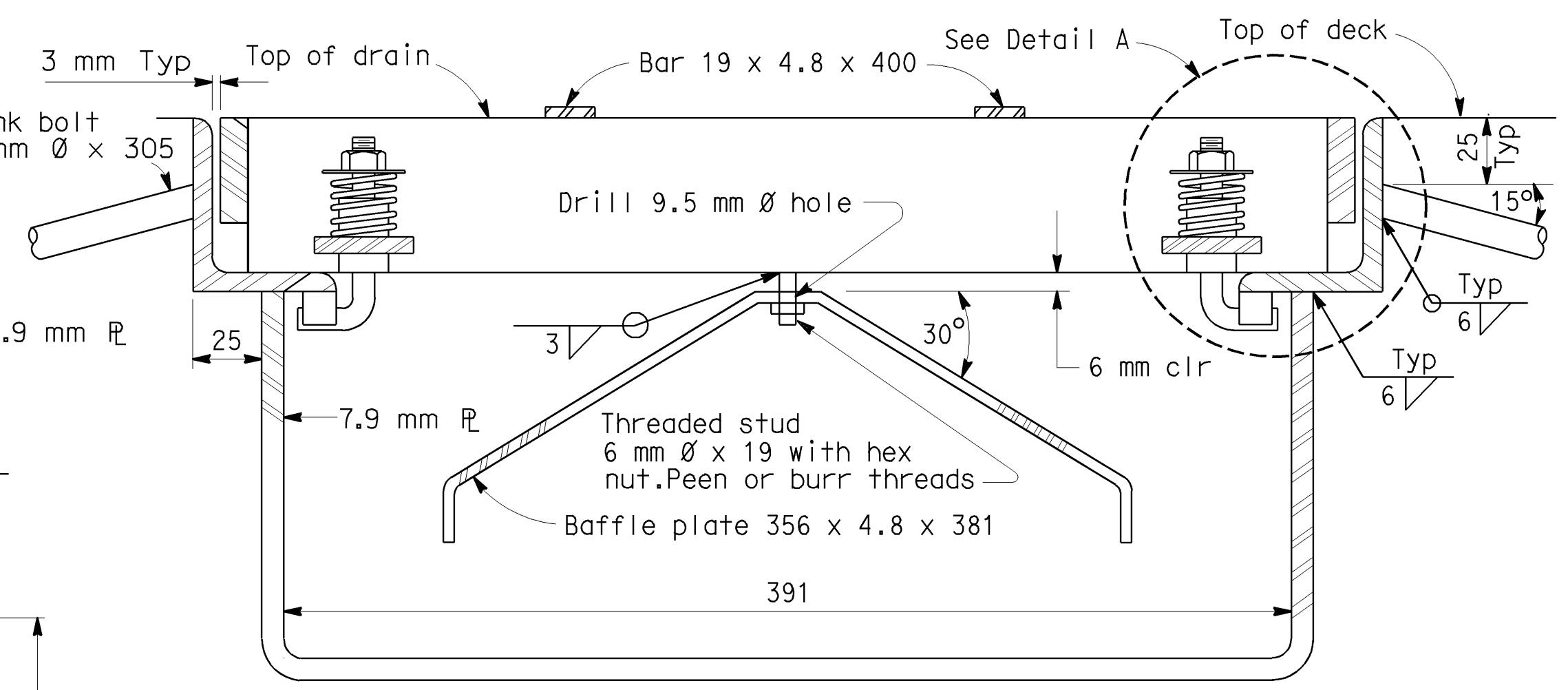
SECTION E-E



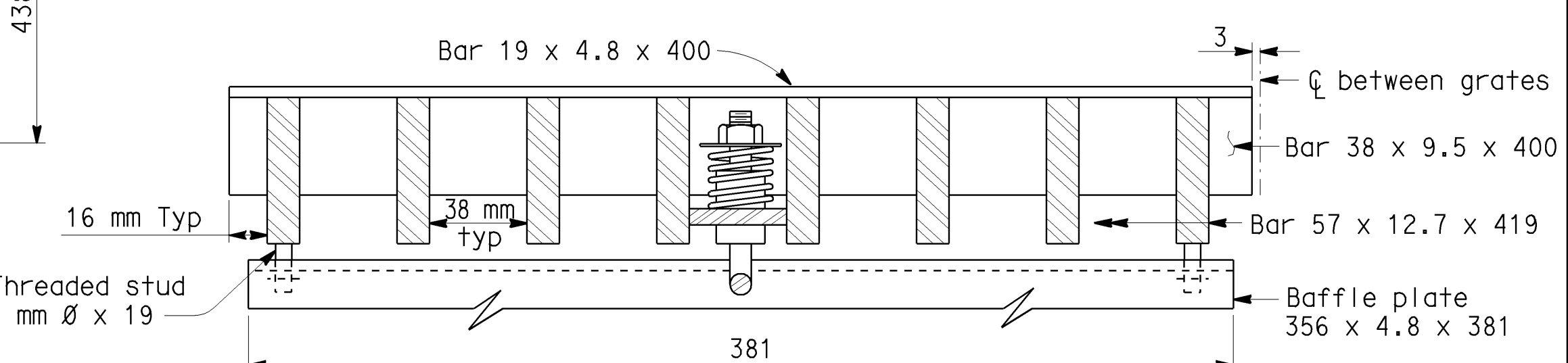
PLAN - FRAME & GRATE

DECK DRAIN		
DECK SLOPE	"A"	"B"
0% to 6%	230	130
7% to 9%	250	130
10% to 12%	270	100

Note: Grating consists of 3 identical units except for Baffle plate. Baffle plate is required only for the grate over the 152 mm Ø pipe



SECTION A-A (FRAME & GRATE)



SECTION B-B

ALL DIMENSIONS ARE IN MILLIMETERS UNLESS OTHERWISE SHOWN

NO SCALE

STANDARD DRAWING			
RELEASE DATE	DESIGN	BY	CHECKED
4/18/97			
FILE NO.	DETAILS	BY	CHECKED
xs10-010		R. YEE	
	SUBMITTED	BY	DRAWING DATE
			12/76
		OFFICE CHIEF	

STATE OF CALIFORNIA
DEPARTMENT OF TRANSPORTATION

DIVISION OF ENGINEERING SERVICES

BRIDGE NO.
KILOMETER POST

DECK DRAIN - TYPE C