



LBIW Inc.

2020 WEST 14TH STREET
 LONG BEACH, CA. 90813
 Tel No. : (562) 432.5451
 Fax No. : (562) 435.5929
 www.lbiw.com

PRODUCT NUMBER

LB 24-12

**RECTANGULAR
 GRATE**

LOAD RATING

TRAFFIC RATED

SPECIFICATIONS

MATERIAL : ASTM A36
COATING : ASTM A123
 (GALVANIZING)
 : MILL FINISH
 (UNCOATED)

MADE IN USA

EST. WEIGHT

279 LBS

STANDARD PLAN REFERENCE

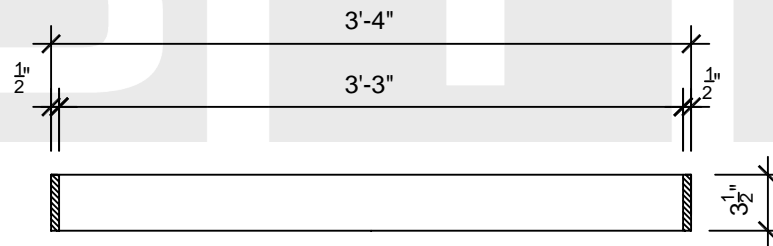
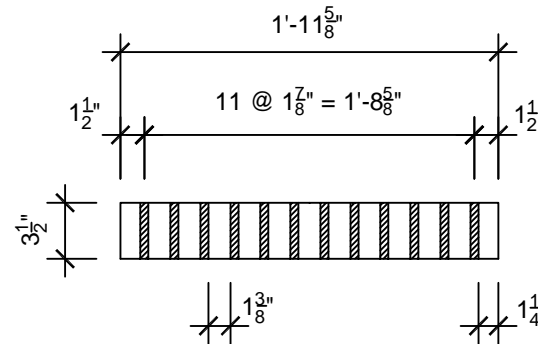
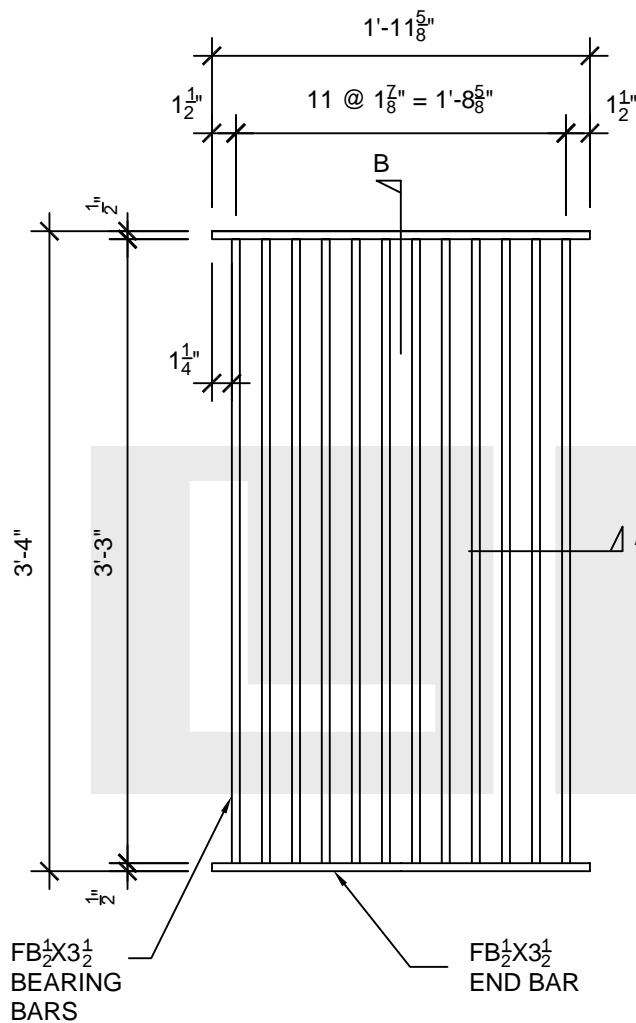
*CALTRANS D77A

DRAWN	DATE
EB	05-29-09

REVISED	DATE
12-09-09	

REFERENCE INFORMATION

LBIW CATALOG
 SECTION 07



SECTION B

LB 24-12 GRATE