

STATE OF CALIFORNIA - DEPARTMENT OF TRANSPORTATION
Caltrans
 PROJECT ENGINEER
 WING-YAN LEE
 CHECKED BY
 WING-YAN LEE
 DESIGNED BY
 WING-YAN LEE
 REVISOR
 DATE



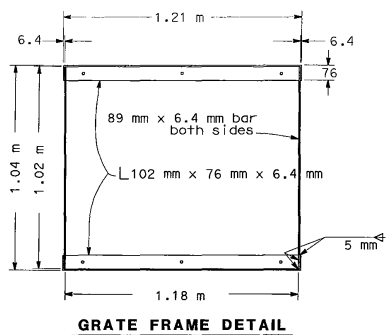
DIST	COUNTY	ROUTE	KILOMETER POST TOTAL PROJECT	SHEET NO.	TOTAL SHEETS
07	LA	5, 10, 60, 90, 101, 105, 134, 110, 405, 605	Var	321	1697

5-15-03
 REGISTERED CIVIL ENGINEER
 WING-YAN LEE
 No. 61452
 Exp. 6-30-05
 CIVIL
 STATE OF CALIFORNIA

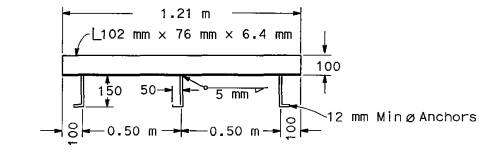
PLANS APPROVAL DATE
 2-2-04

The State of California or its officers or agents shall not be responsible for the accuracy or completeness of electronic copies of this plan sheet.

Caltrans now has a web site! To get to the web site, go to <http://www.dot.ca.gov>

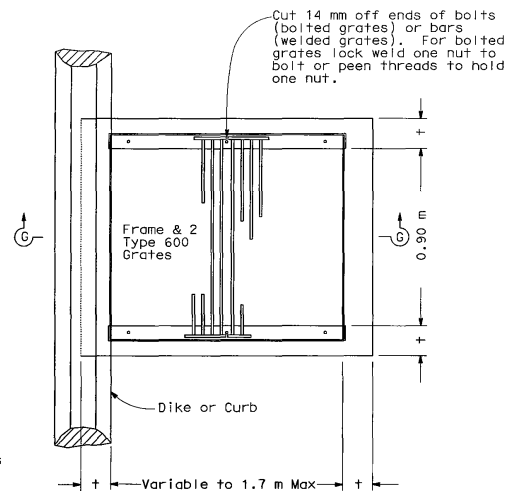


GRATE FRAME DETAIL

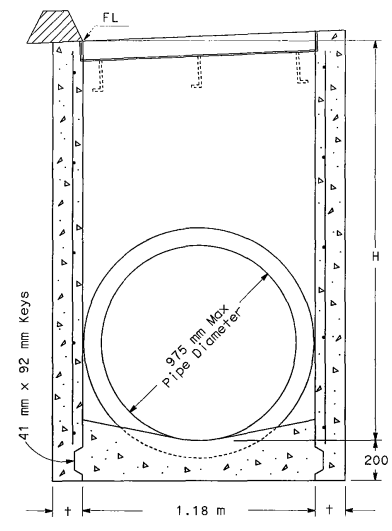


ANCHOR PLACEMENT DETAIL

For grate, frame and anchor placement details see Standard Plans D77A and D77B



PLAN



SECTION G-G

(For pipe diameters 975 mm or less)

NOTES

- 'H' is the difference in elevation between the outlet pipe flow line and the flow line of the grates.
- Steps - None required when 'H' is 1.07 m or less. Install one step 400 mm± above floor when 'H' is more than 1.07 m and less than 1.52 m. Where 'H' is more than 1.52 m steps shall be evenly spaced @ 300 mm± intervals from 400 mm± above floor to within 300 mm± of the top of the box. Place steps in wall without pipe openings. See Standard Plan D74C for step detail.
- Pipe(s) can be placed in any wall.
- Reinforcing steel not required in walls when H=1.8 m or less.
- Reinforcing steel in walls shall be #13 bars @ 450 mm± centers placed 40 mm clear to inside of box.
- FOR ISOLATION JOINT DETAIL, SEE SHEET D-113.

MISCELLANEOUS IRON & STEEL

Inlet Type	Grate Type	MASS(kg)
GD-1	600 - 12	264

H	†
2.50 m or less	150 mm
2.51 m to 6.00 m	200 mm

GD-1 INLET

ALL DIMENSIONS ARE IN MILLIMETERS UNLESS SHOWN OTHERWISE
DRAINAGE DETAILS
 NO SCALE

D-88

FOR REDUCED PLANS ORIGINAL SCALE IS IN MILLIMETERS
 0 20 40 60 80

USERNAME => rmaria
 PLOT DATE => 2/11/2004

CU 07312

FA 117811

LAST REVISION DATE PLOTTED 2/11/2004
 00-00-00 TIME PLOTTED 23:16:10