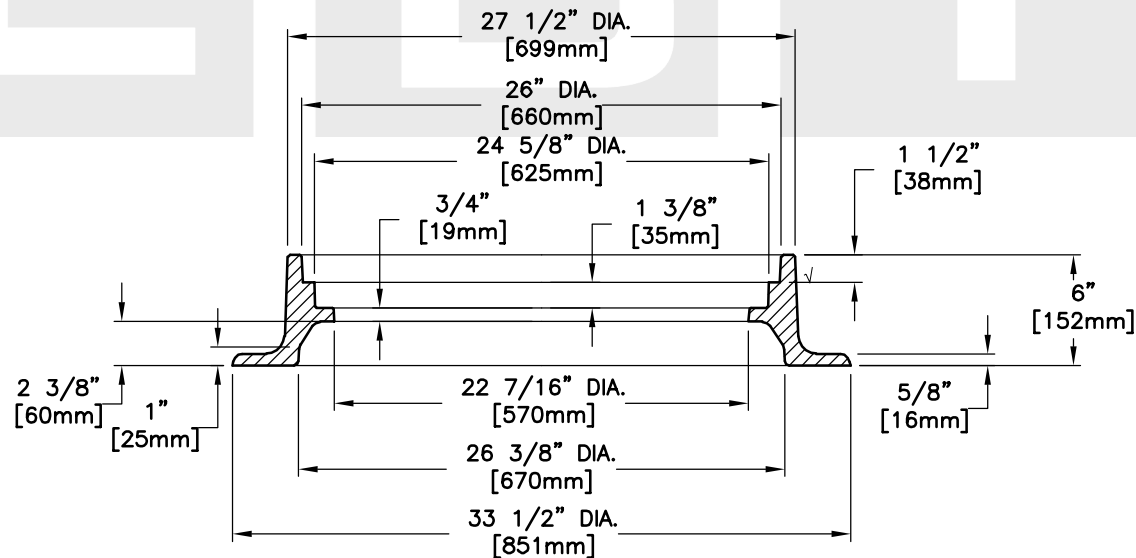


PLAN VIEW



SECTION VIEW

EAST JORDAN
IRON WORKS, INC.
P.O. BOX 439
EAST JORDAN, MI. 49727
1-800-874-4100
FAX 231-536-4458

DRAWN TCL	DATE 05/20/03
--------------	------------------

APPROVED	DATE
----------	------

MANHOLE
RING
(LBIW X115)

PRODUCT NO.

00311510

CATALOG NO.

3115Z

REF. PRODUCT DRAWING

311510

EST. WT.

FRAME: 205 LBS 93kg

OPEN AREA

N/A

MAT'L SPEC.

FRAME - GRAY IRON
ASTM A48 CL35

LOAD RATING

HEAVY DUTY