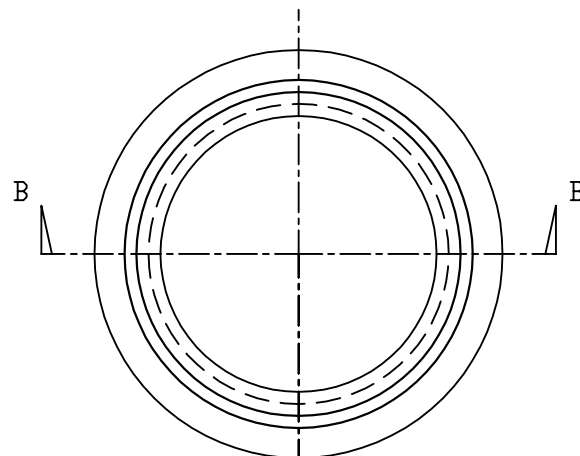
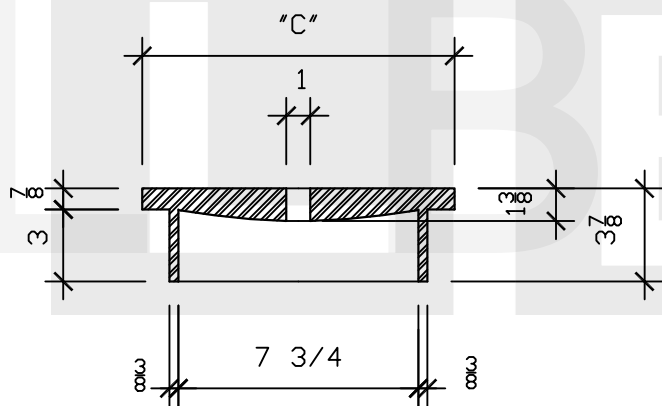


RAISE LETTER
(3/16)

PLAN

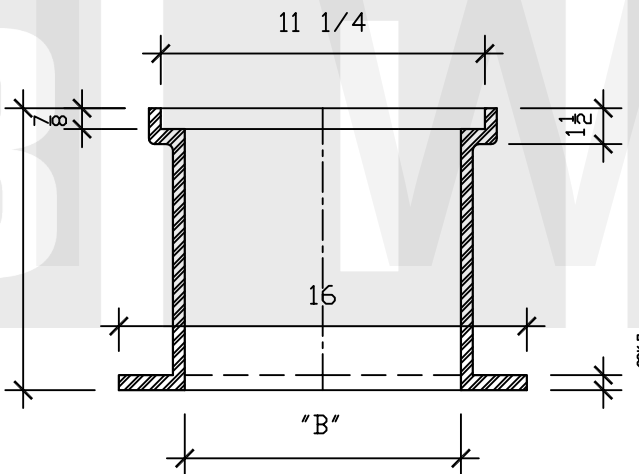


PLAN



SECTION A-A

ACCESS COVER



SECTION B-B

ACCESS FRAME

NOTE : ALL MEASUREMENTS ARE IN INCHES

SEWER CLEANOUT ASSEMBLY

CATALOG NUMBER	OVERALL HEIGHT "A"	CLEAR OPENING "B"	O.D. OF COVER "C"	APPROX. WEIGHT
LB 1240	12"	10"	10 3/4"	110 lbs



LBIW Inc.

2020 WEST 14TH STREET
LONG BEACH, CA. 90813
Tel No. : (562) 432.5451
Fax No. : (562) 435.5929

www.lbiw.com

PRODUCT NUMBER

LB 1240/X-510A

LOAD RATING

TRAFFIC RATED

COATING

ASPHALTUM (BLACK)

EST. WEIGHT

WEIGHTS MAY VARY
MINUS 5 %, PLUS 10 %

SPECIFICATION

CITY OF RIVERSIDE -
STD. DWG. 560

OPEN AREA

DESIGNATES MACHINED

DRAWN

EB

REVISED

07-24-09

DATE

01-08-09

DATE

REFERENCE INFORMATION

SECTION 03