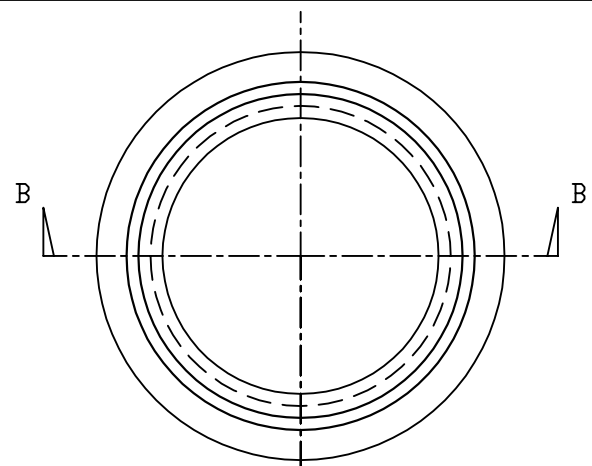
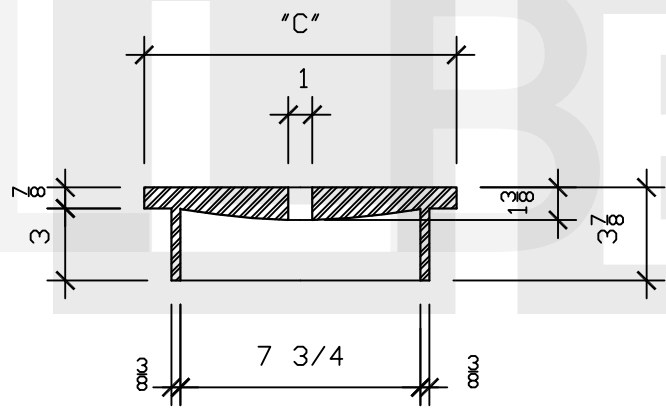


PLAN

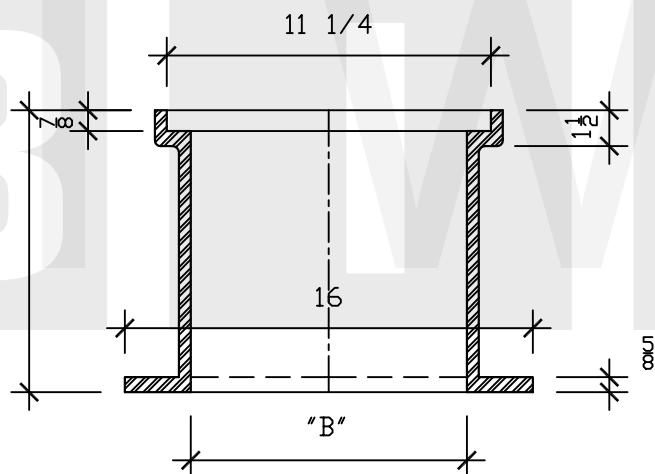


PLAN



SECTION A-A

ACCESS COVER



SECTION B-B

ACCESS FRAME

NOTE : ALL MEASUREMENTS ARE IN INCHES

SEWER CLEANOUT ASSEMBLY

CATALOG NUMBER	OVERALL HEIGHT "A"	CLEAR OPENING "B"	O.D. OF COVER "C"	APPROX. WEIGHT
LB 1240	12"	10"	10 3/4"	110 lbs

PRODUCT NUMBER
LB 1240/X-510A

LOAD RATING
 TRAFFIC RATED
COATING
 ASPHALTUM (BLACK)

EST. WEIGHT
 WEIGHTS MAY VARY
 MINUS 5 %, PLUS 10 %

SPECIFICATION
 CITY OF RIVERSIDE -
 STD. DWG. 560

OPEN AREA

DESIGNATES MACHINED

DRAWN EB	DATE 01-08-09
REVISED 07-24-09	DATE

REFERENCE INFORMATION