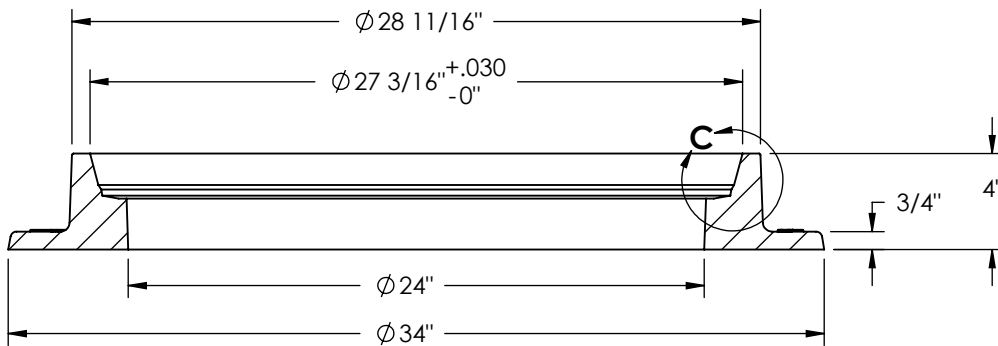
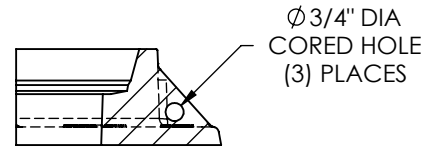


MACHINE SEAT DETAIL



SECTION A-A



SECTION B-B

REF: LACSD #S-a-228

CONFIDENTIAL: This drawing is the property of East Jordan Iron Works, Inc. and embodies confidential information, trade secret information, and/or know how that is the property of East Jordan Iron Works, Inc. © Copyright 2008 East Jordan Iron Works, Inc.

EJIW EAST JORDAN
IRON WORKS EST. 1883

800-626-4653

www.ejiw.com

MADE IN USA

PRODUCT NUMBER

00311812

CATALOG NUMBER

3118Z1

**FRAME
(LB 1503)**

LOAD RATING

HEAVY DUTY

COATING

DIPPED

ESTIMATED WEIGHT

FRAME: 206 LBS

WEIGHT MAY VARY $\pm 5\%$

MATERIAL SPECIFICATION

**GRAY IRON
ASTM A48 CL35B**

OPEN AREA
N/A

√ DESIGNATES
MACHINED SURFACE

DRAWN DEW	DATE 04/29/08
--------------	------------------

LAST REVISED JIJ	DATE 04/23/09
---------------------	------------------

REFERENCE INFORMATION

00311812