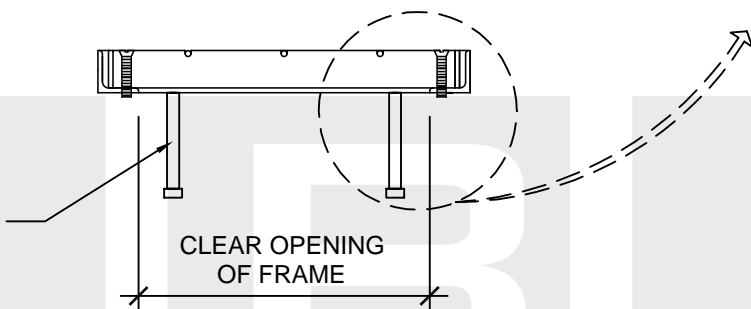


OPTIONAL

1/2" DIA. MIN. x 4" LONG
NELSON STUD ANCHOR



AREA GRATE AND FRAME ASSEMBLY

CATALOG NUMBER	CLEAR OPENING OF FRAME
LB 1581T	10" x 10"
LB 1582T	12" x 12"
LB 1583T	16" x 16"
LB 1584T	18" x 18"
LB 1585T	22" x 22"
LB 1586T	24" x 24"
LB 1587T	36" x 36"

NOTE : GRATES AND FRAMES MAY BE BOLTED WITH VANDAL RESISTANT LOCKING DEVICES UPON REQUEST



LBIW Inc.

2020 WEST 14TH STREET
LONG BEACH, CA. 90813
Tel No. : (562) 432.5451
Fax No. : (562) 432.5929
www.lbiw.com

PRODUCT NUMBER

**LB 1580T
SERIES**

LOAD RATING

TRAFFIC RATED

COATING

GALVANIZED FINISH

EST. WEIGHT

WEIGHTS MAY VARY
MINUS 5 %, PLUS 10 %

SPECIFICATION

OPEN AREA

DESIGNATES MACHINED

DRAWN

EB

DATE

9-11-08

REVISED

03-30-09

DATE

REFERENCE INFORMATION

SECTION 07