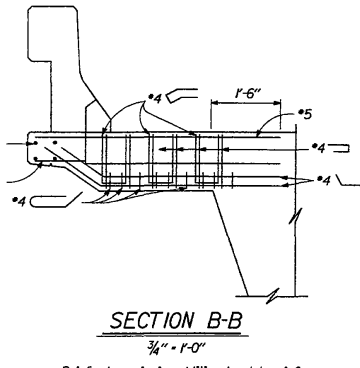
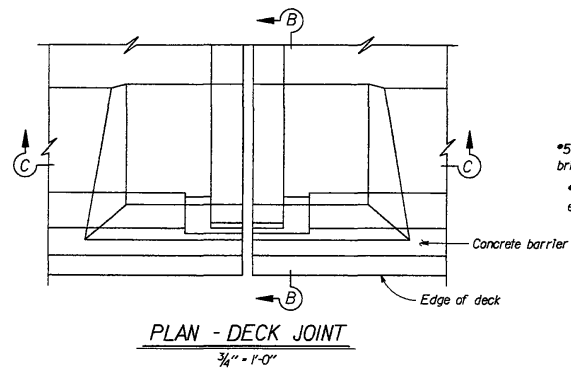
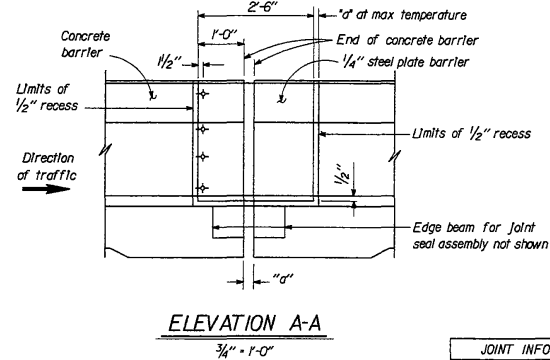
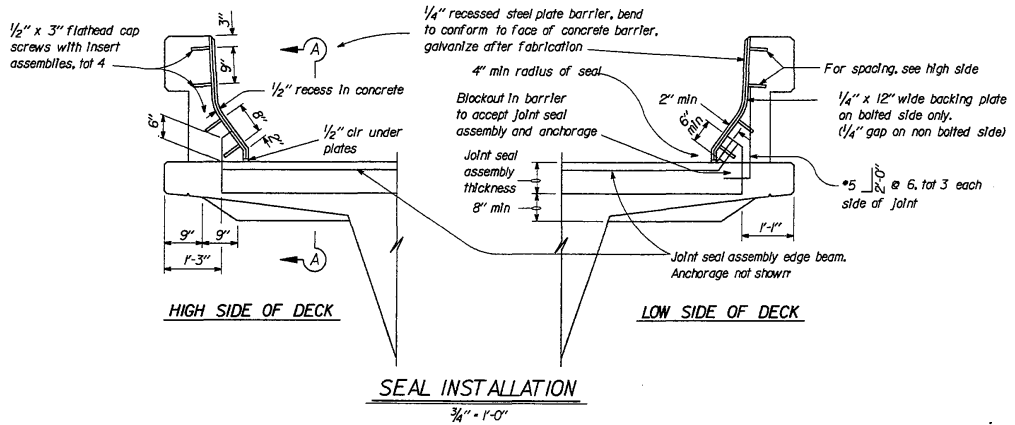


DIST	COUNTY	ROUTE	POST MILES TOTAL PROJECT	SHEET NO.	TOTAL SHEETS
12	Ora	91			

Robert Wheeler
 REGISTERED CIVIL ENGINEER
 No. 42513
 Exp. 3-31-00
 CIVIL
 STATE OF CALIFORNIA

PLANS APPROVAL DATE _____
Dokken Engineering Inc
 3054 Gold Canal Drive
 Rancho Cordova, CA 95670

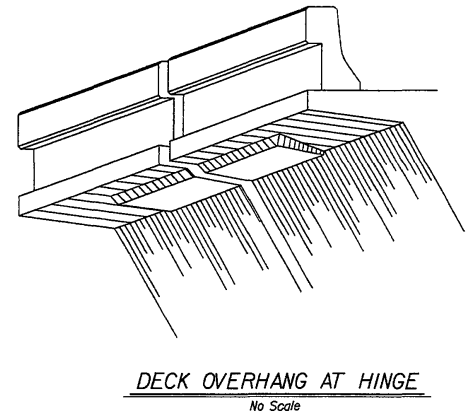
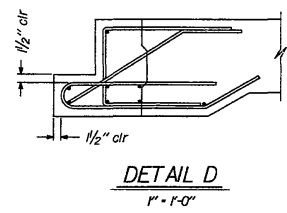
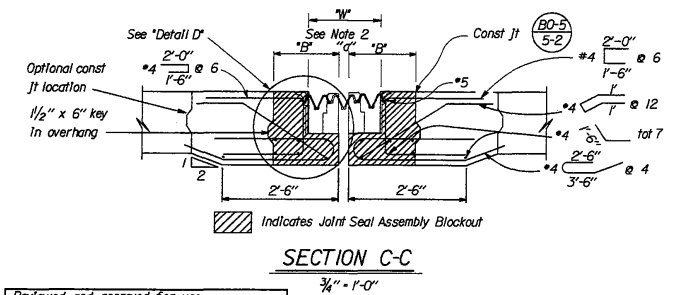
The State of California or its officers or agents shall not be responsible for the accuracy or completeness of electronic copies of this plan sheet.



APPROVED FOR CONSTRUCTION
 Date: 04/23/98
 Date of Approval for Construction: 10/29/97
 DGN: R14231 Section: 13

JOINT INFORMATION		"d" DIMENSIONS			
LOCATION	MOVEMENT RATING (M.R.)	SKEW	WINTER	SPRING & FALL	SUMMER
Hinge 1	5/2"	0°	2 1/2"	1 1/4"	1 1/4"
Hinge 2	7/2"	0°	3 1/2"	2 1/2"	1 1/4"

	Skew	Movement Rating (MR)	Blockout Width (B)	Blockout Depth (H)	Minimum "w"	Maximum "w"
2 Seal	0°	6"	1'-0"	1'-2"	2 1/2"	8 1/2"
3 Seal	0°	9"	1'-6"	1'-2"	5"	1'-2"
4 Seal	0°	12"	1'-9"	1'-2"	7 1/2"	1'-7 1/2"
5 Seal	0°	15"	2'-3"	1'-2"	10"	3'-1"



Reviewed and approved for use on the Eastern Transportation Corridor
 By: _____ Date: _____

DESIGN BY: <i>Z. Wu</i> CHECKED: <i>R. Hartzell / Y. Hu</i>	DESIGN BY: <i>K. Dang</i> CHECKED: <i>R. Hartzell / Y. Hu</i>	DESIGN BY: _____ CHECKED: _____	BRIDGE NO. 55-7936 POST MILE 15.63	E91-S241 CONNECTOR OVERCROSSING ETC-HINGE JOINT SEAL DETAILS MOVEMENT RATING GREATER THAN 4"
DESIGN BY: <i>Z. Wu</i> CHECKED: <i>R. Hartzell / Y. Hu</i>	DESIGN BY: <i>K. Dang</i> CHECKED: <i>R. Hartzell / Y. Hu</i>	DESIGN BY: _____ CHECKED: _____	TRANSPORTATION CORRIDOR AGENCIES PROJECT MANAGER: <i>Michael Endres</i>	DISCARD PRINTS BEARING EARLIER REVISION DATES REVISION DATES (PRELIMINARY STAGE ONLY) 6/27/98 10/25/98 10/27/98 4/22/99

ORIGINAL SCALE IN INCHES FOR REDUCED PLANS: 0 1 2 3
 CU 12240 EA 11000
 SHEET 45 OF 61