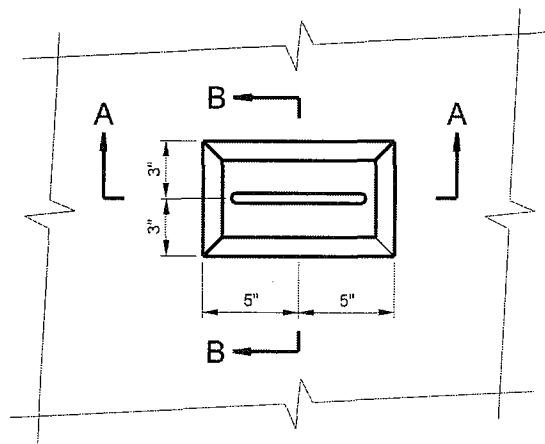
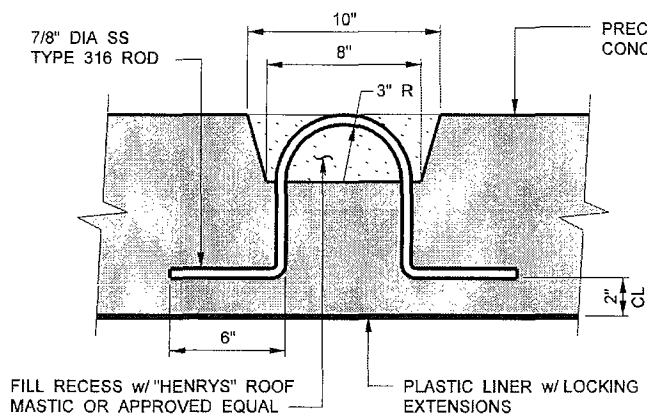


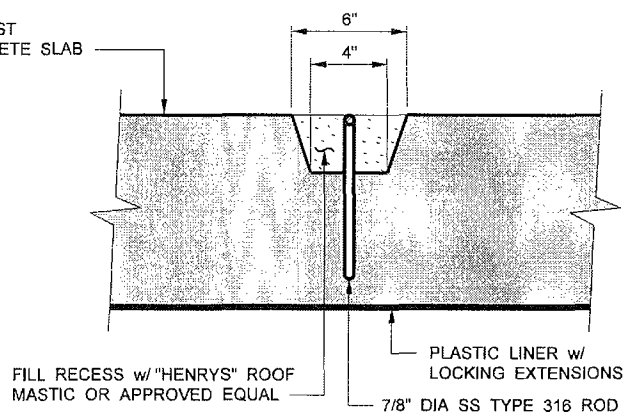
TYPE I LIFTING EYE DETAIL



PLAN



SECTION A-A



SECTION B-B

TYPE II LIFTING EYE DETAIL
(FOR COVER LESS THAN 12" THICK)

COUNTY SANITATION DISTRICTS OF LOS ANGELES COUNTY
OFFICE OF CHIEF ENGINEER

STEPHEN R. MAGUIN
CHIEF ENGINEER

STANDARD LIFTING EYE

STANDARD DRAWING
2006 EDITION
S - a - 230
SHEET 1 OF 1