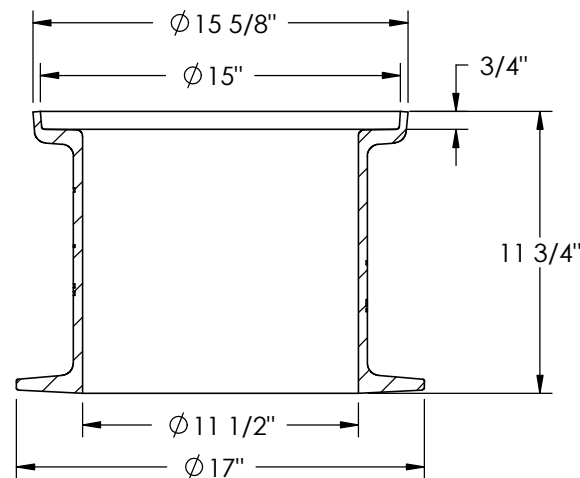
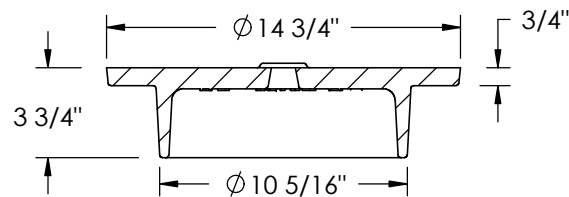
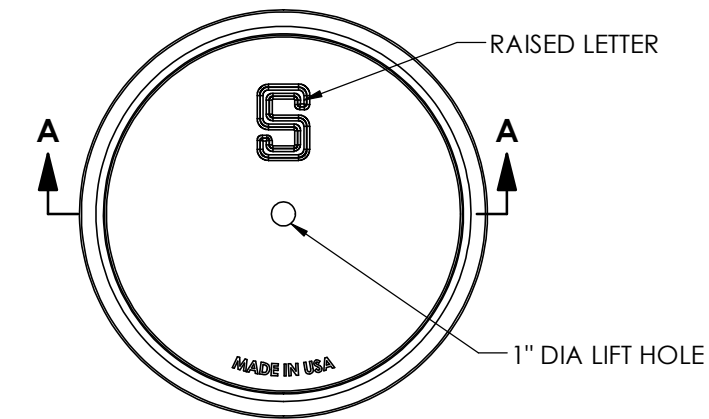


# 3510Z 3510C Assembly



SECTION A-A

## Product Number

00351021A01

## Design Features

- Materials
  - Cleanout/Monument Box Frame  
Gray Iron (CL35B)
  - Cleanout/Monument Box Cover  
Gray Iron (CL35B)
- Design Load
  - Heavy Duty
- Open Area
- Coating
  - Dipped
- √ Designates Machined Surface

## Certification

- ASTM A48
- H20
- 
- Country of Origin: USA

## Major Components

00351010  
00351021

## Drawing Revision

8/12/2010 Designer: SBB  
1/14/2015 Revised By: MAH

## Disclaimer

Weights (lbs/kg), dimensions (inches/mm) and drawings provided for your guidance. We reserve the right to modify specifications without prior notice.

CONFIDENTIAL: This drawing is the property of EJ Group, Inc. and embodies confidential information, registered marks, patents, trade secret information, and/or know-how that is the property of EJ Group, Inc. Copyright © 2013 EJ Group, Inc. All rights reserved.

## Contact

800 626 4653  
ejco.com