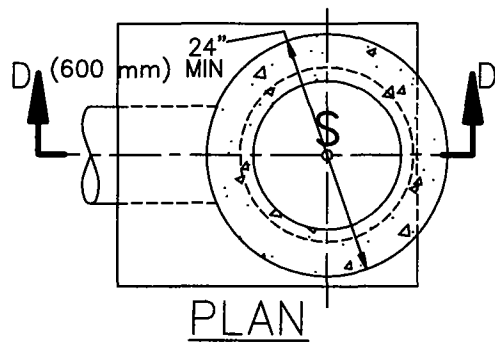
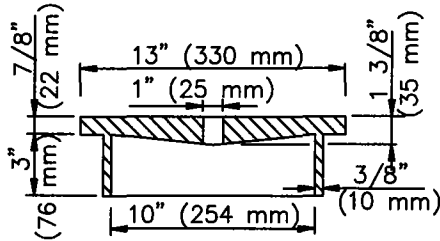


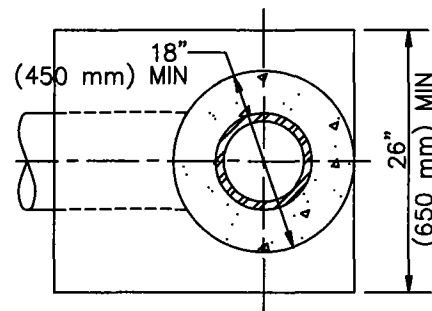
ACCESS COVER



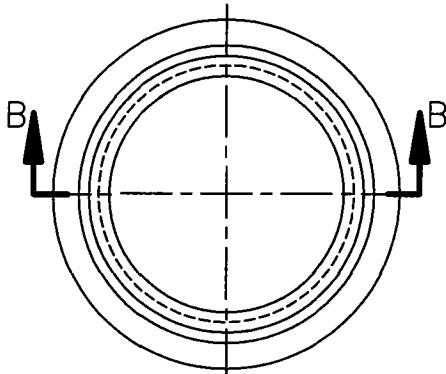
PLAN



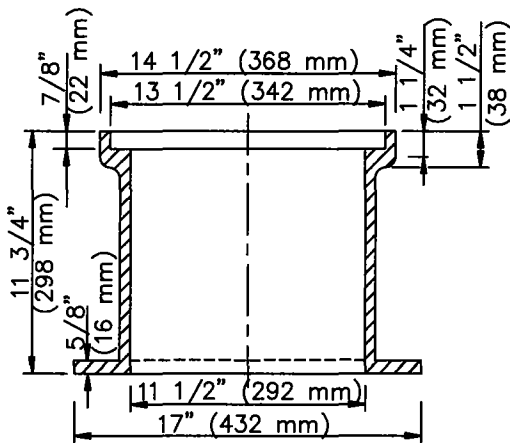
SECTION A-A



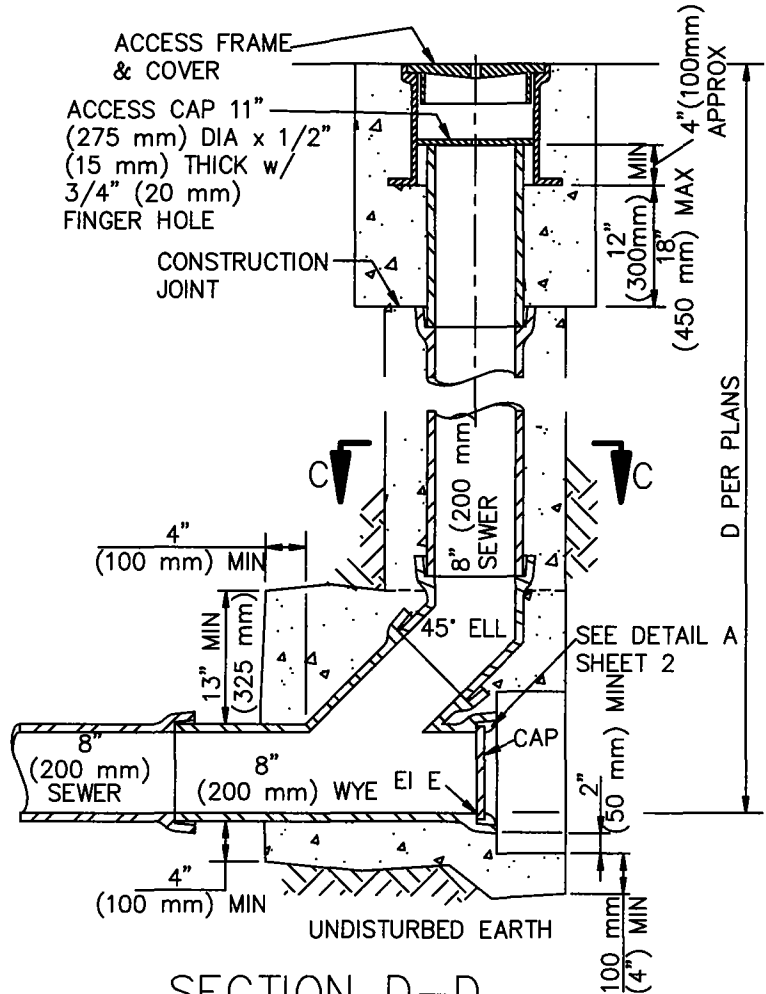
SECTION C-C



ACCESS FRAME



SECTION B-B



SECTION D-D

STANDARD PLANS FOR PUBLIC WORKS CONSTRUCTION

PROMULGATED BY THE
PUBLIC WORKS STANDARDS INC.
GREENBOOK COMMITTEE
1993
REV. 2005, 2009

TERMINAL CLEANOUT STRUCTURE

USE WITH STANDARD SPECIFICATIONS FOR PUBLIC WORKS CONSTRUCTION

STANDARD PLAN

204-2

SHEET 1 OF 2