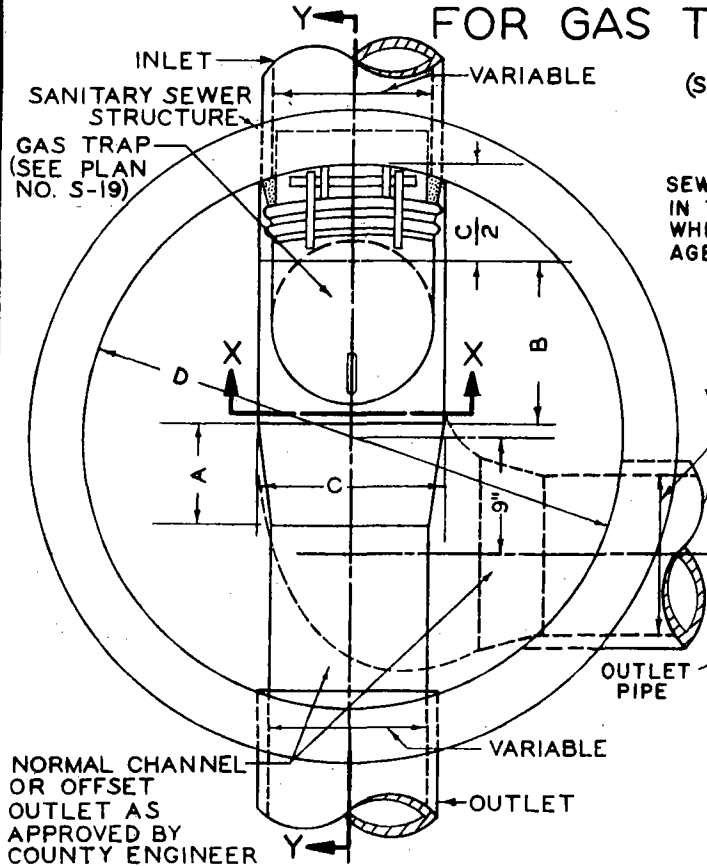
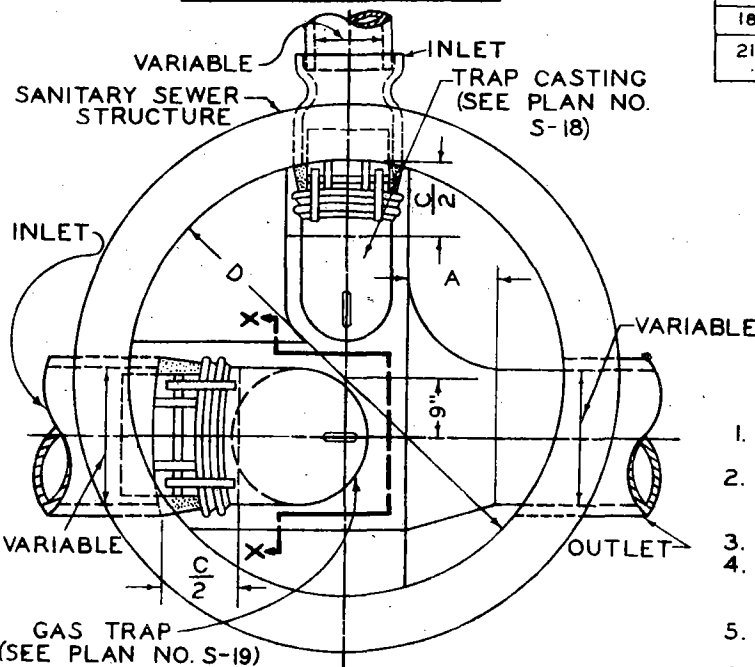


LARGE GAS TRAP MANHOLE BASE

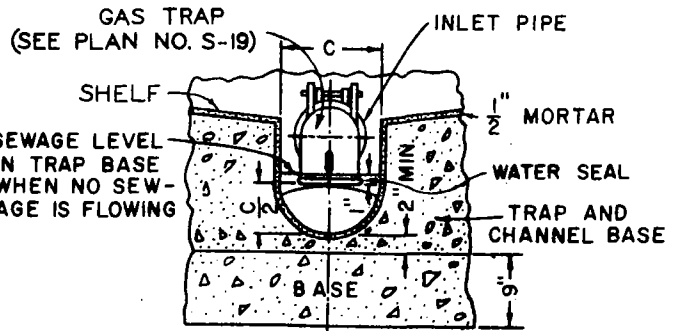
FOR GAS TRAP S-19



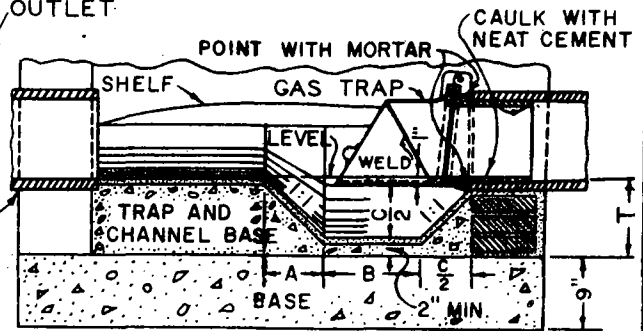
PLAN
SINGLE TRAP BASE



PLAN
DOUBLE TRAP BASE



SECTION X-X



SECTION Y-Y

BASE & COVER DIMENSIONS					
INLET DIAM.	A	B	C	T MIN.	FRAME & COVER
15"	10"	17 1/2"	18"	11"	PER S-35
18"	11 1/2"	19 1/2"	21"	13"	29" CLEAR OPENING MINIMUM OF A TYPE APPROVED BY THE COUNTY ENGINEER
21"	13"	21 1/2"	24"	14"	

TRAP BASES

INLET DIAM. & TRAP SIZE	DIAM. OF MANHOLE BASE (D) OUTLET DIAMETER			
	15"	18"	21"	24"
15"	4'	5'	5'	5'
18"	—	5'	5'	5'
21"	—	—	6'	6'

NOTES

1. FOR OTHER MANHOLE DETAILS, SEE PLAN NO. S-3 OR S-36.
2. FOR DETAILS OF GAS TRAP FABRICATION FOR 15" 18" AND 21" GAS TRAPS SEE PLAN NO. S-19.
3. WATER SEAL SHALL BE 1" MINIMUM.
4. FOR TRAP INLETS LARGER THAN 21" SHOW BASE DETAIL ON PROFILE AS APPROVED BY THE COUNTY ENGINEER.
5. ALL CEMENT MORTAR SHOWN HEREON SHALL BE CLASS "D" PER SECTION 201-5.1
6. DOUBLE TRAP BASES ARE NOT ALLOWED IF ANY INLET IS 18" IN DIAMETER OR GREATER.

DEPARTMENT OF COUNTY ENGINEER-COUNTY OF LOS ANGELES
SANITATION DIVISION

COUNTY ENGINEER
STANDARD

S-11

Richard E. Kuhns
DIVISION ENGINEER

APPROVED

John J. Larkin
COUNTY ENGINEER

DATE: OCTOBER 1964

REVISED: MAY 1970