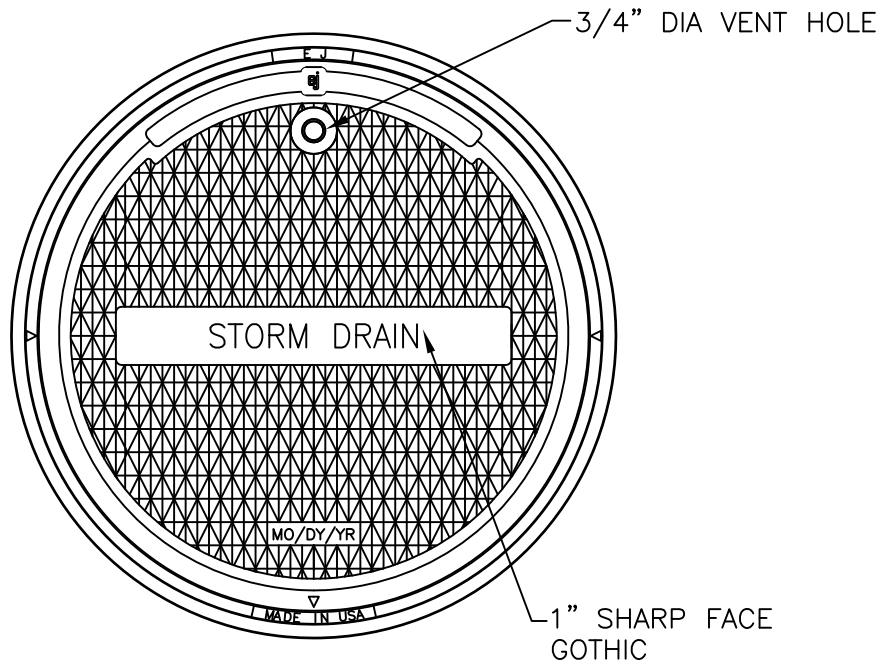
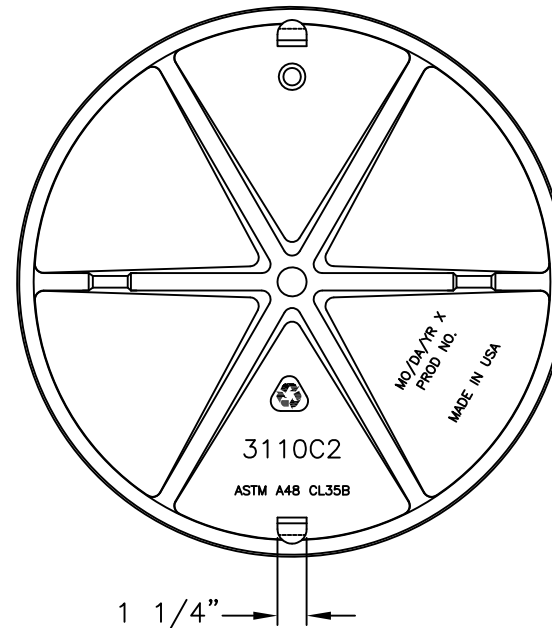


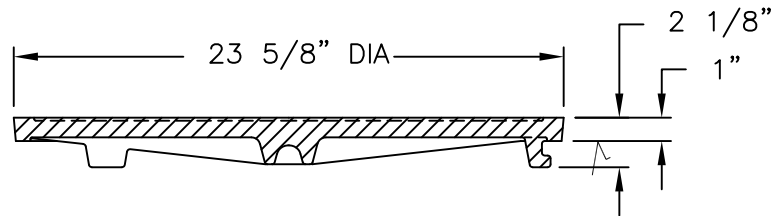
3110Z3 3110C2 Assembly



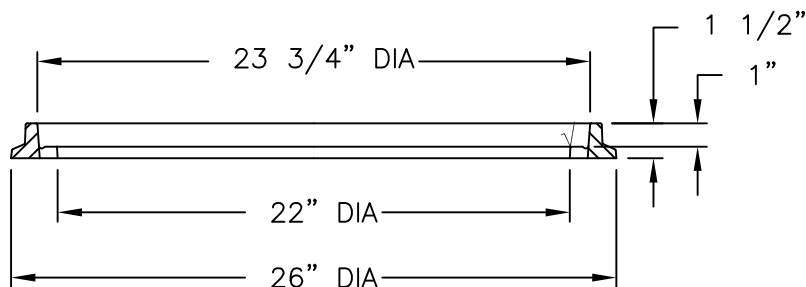
PLAN VIEW



COVER BACK



COVER SECTION



FRAME SECTION

Product Number

00311003

Design Features

- Materials
 - Frame
Gray Iron (CL35B)
 - Cover
Gray Iron (CL35B)

- Design Load
Heavy Duty

- Open Area
n/a

- Coating
Dipped

- √ Designates Machined Surface

Certification

- ASTM A48

- Country of Origin: USA

Major Components

- 00311014
- 00311026

Drawing Revision

- 10/27/2003 Designer: DEW
- 03/04/2016 Revised By: DVD

Disclaimer

Weights (lbs./kg) dimensions (inches/mm) and drawings provided for your guidance. We reserve the right to modify specifications without prior notice.

CONFIDENTIAL: This drawing is the property of EJ GROUP, Inc., and embodies confidential information, registered marks, patents, trade secret information, and/or know how that is the property of EJ GROUP, Inc. Copyright © 2012 EJ GROUP, Inc. All rights reserved.

Contact

800 626 4653
ejco.com