

NOTE:  
W\* = CONCRETE  
OPENING

TYPE II

TYPE I

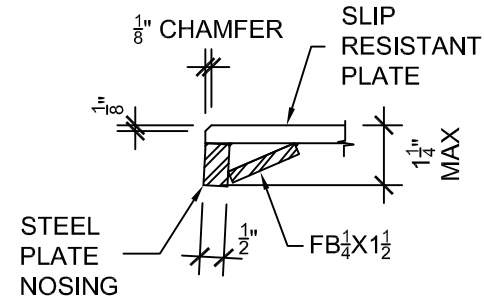
TYPE III

CURB STREET SIDE

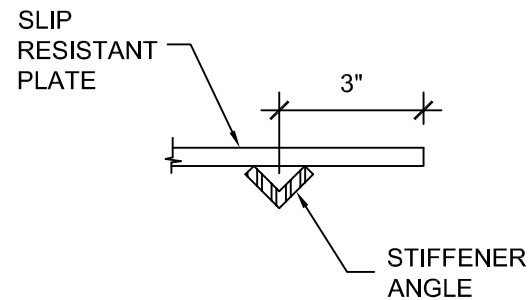
PLATE LENGTH  
WEIGHT NOT TO EXCEED  
300 POUNDS / PLATE

EQUAL SPACES  
@ 24" O.C. MAX.

SLIP  
RESISTANT  
PLATE

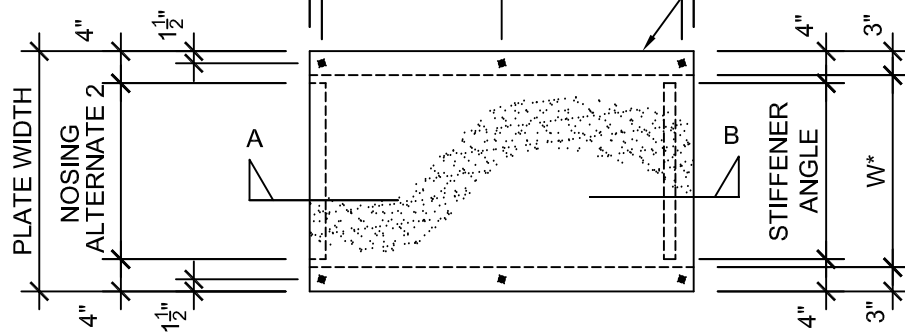


SECTION A



SECTION B

$\frac{7}{16}$ "  $\varnothing$  HOLE  
COUNTERSUNK



SIDEWALK CULVERT WITH SLIP RESISTANT STEEL PLATE TOP ONLY  
(NO FRAME IS INCLUDED WITH THIS LB S-322-2)



**LBIW Inc.**  
2020 WEST 14TH STREET  
LONG BEACH, CA. 90813  
Tel No. : (562) 432.5451  
Fax No. : (562) 435.5929  
[www.lbiw.com](http://www.lbiw.com)

PRODUCT NUMBER

**LB S-322-2**

SIDEWALK CULVERT  
WITH SLIP RESISTANT  
STEEL PLATE TOP



ALHAMBRA FOUNDRY COMPANY  
REFERENCE NUMBER(S)

LOAD RATING  
PEDESTRIAN RATED  
FOOT TRAFFIC ONLY

SPECIFICATIONS  
MATERIAL : SLIP RESISTANT  
PLATE ASTM A36  
COATING : ASTM A123  
(GALVANIZING)

**MADE IN USA**

ESTIMATED WEIGHT

STANDARD PLAN REFERENCE

\*CITY OF LOS ANGELES  
STANDARD PLAN S-322-2

DRAWN

EB

REVISED

DATE

01-09-23

DATE

REFERENCE INFORMATION  
LBIW CATALOG

SECTION 07