

1/2" DIA. STEEL BARS, WELD TO PROTECTION BAR AT 6" O.C. AND TO BAND AT 120° (3 LOCATIONS). BEND STEEL PLATE AND WELD.

1/4" x 3" STEEL BAND. BEND 2" FLANGE AT ENDS.

1/2" DIA. STEEL PROTECTION BAR

D2	C.S.P. GAUGE
18" - 27"	16
30" - 39"	14
42" - 48"	12
51" - 66"	10

5/8" DIA. x 6" GALV. MACHINE BOLT

1/4" x 6" DIA. STEEL PLATE

PROTECTION BAR

4-1/4" CLEAR

SEE NOTE 6

STANDARD C.S.P. TEE SECTION

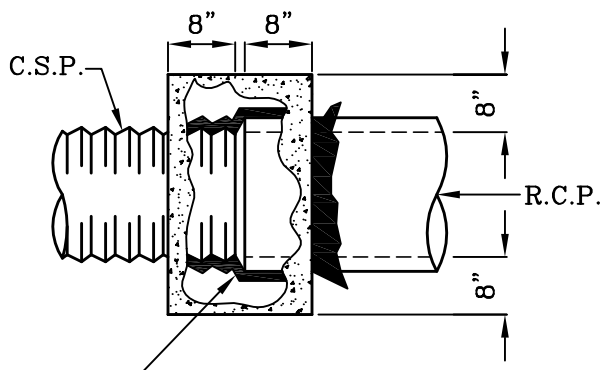
D1

4" P.C.C. SLAB SLOPE TO DRAIN

D2

INVERT ELEV. A

CONNECT TO R.C.P. WITH P.C.C. COLLAR, IN ACCORDANCE WITH DETAIL AT RIGHT.



WRAP WITH ONE THICKNESS OF 15 POUND FELT PAPER, SHAPE OPENING FOR SMOOTH JOINT.

NOTES:

1. V, D1, D2, AND ELEVATION A SHALL BE SHOWN ON THE CONSTRUCTION PLANS.
2. GRATE ASSEMBLY SHALL BE FABRICATED TO FIT C.S.P. OF SIZE D2.
3. GRATE ASSEMBLY SHALL BE GALVANIZED AFTER FABRICATION.
4. R.C.P. SHALL BE SIZED TO FIT FUTURE CATCH BASIN DESIGN.
5. GRATE ASSEMBLY SHALL BE FABRICATED TO FIT THE OUTSIDE DIAMETER OF STANDARD JUNCTION STRUCTURE SHAFT IF INDICATED ON CONSTRUCTION PLANS.
6. 1/2" WIDE SHOTS OR 1/2" TO 1" ROUND HOLES.
7. D1 GAUGE SHALL BE EQUAL TO THAT OF D2.

CITY OF MISSION VIEJO



C.S.P. DROP INLET

STANDARD PLAN NO.

454

Robert Anderson

9-23-03

APPROVED

RCE 30190

DATE

SHT 1 OF 1