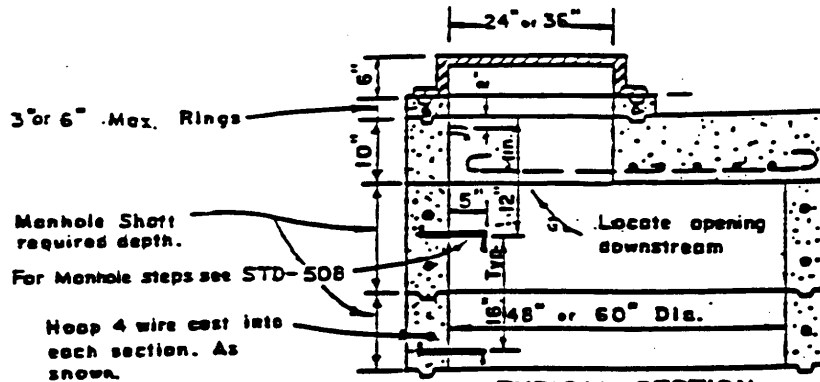


NOTES

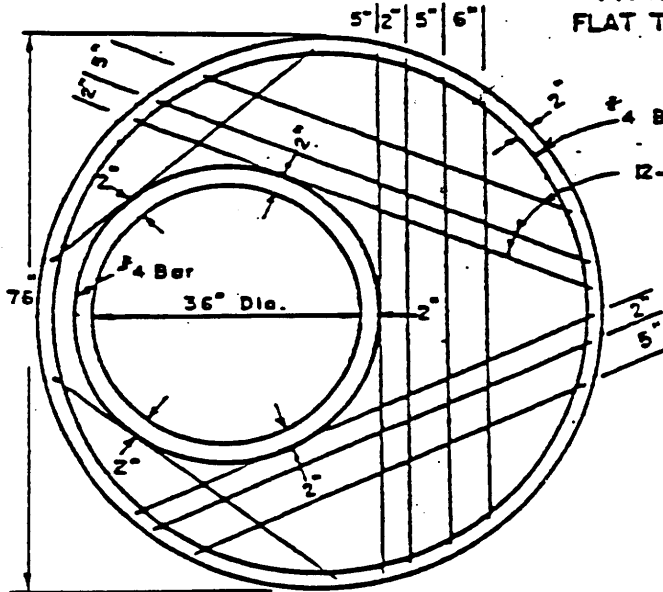
For Manhole base & Junction chamber, see STD. 506 & 507

For Manhole frame & cover see STD. PLAN 510

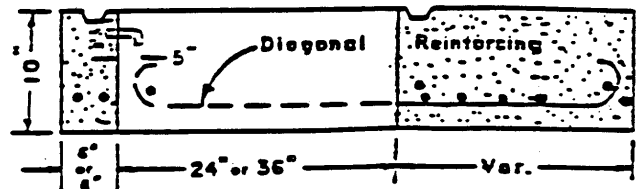
USE THIS STANDARD ONLY WHEN MANHOLE IS 4 FT. OR LESS IN DEPTH.



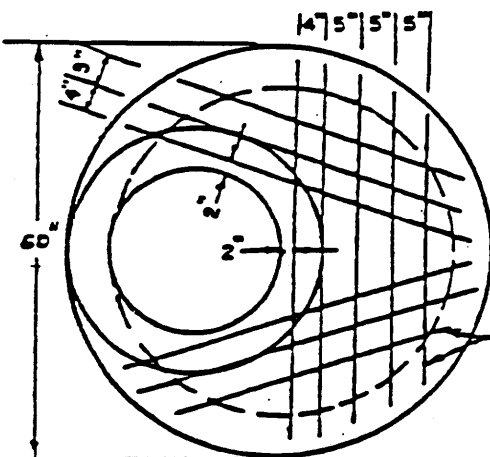
TYPICAL SECTION
FLAT TOP MANHOLE



PLAN OF 60° COVER WITH
36° ACCESS



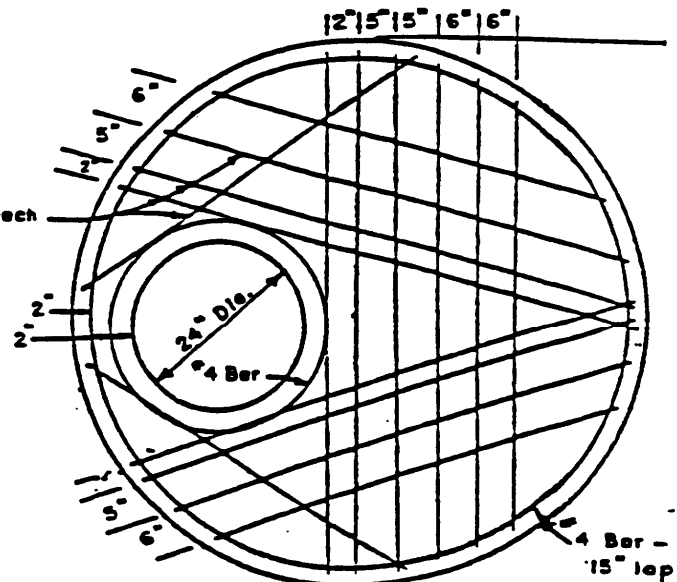
FLAT TOP COVER



PLAN OF 48° COVER
WITH 24° ACCESS

16-#4 Bars
hooked at each
end.

11-#5 Bars hooked
at each end



PLAN OF 60° COVER WITH
24° ACCESS

CITY OF BUENA PARK
DEPARTMENT OF PUBLIC WORKS

Approved *Donald K. Jensen* 5/15/87
City Engineer Date

**STD
503**

FLAT TOP SANITARY SEWER MANHOLE COVERS