

TYPICAL INSTALLATION

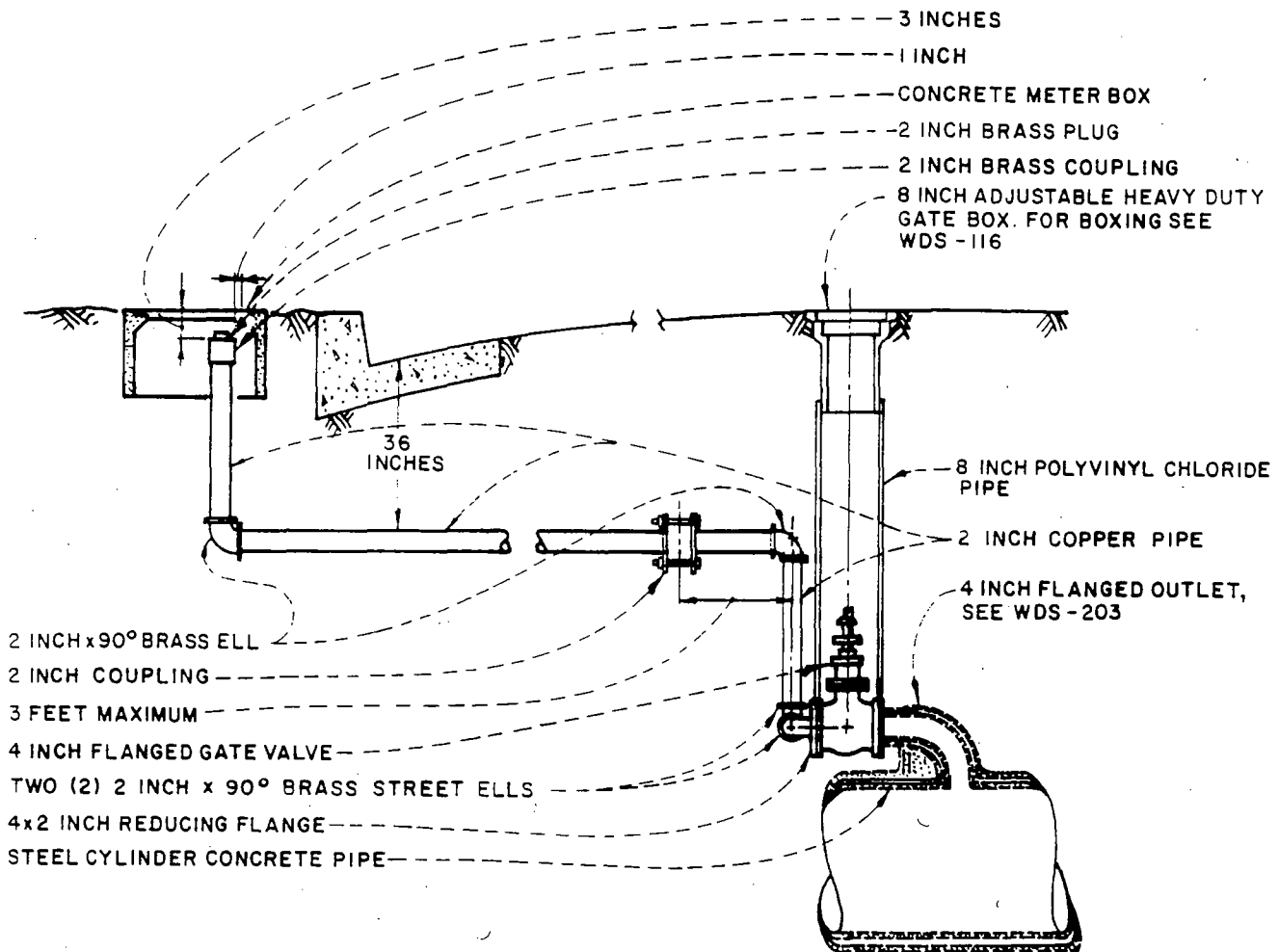
NOTES:

1. WHEN DIRECTED BY THE WATER DEPARTMENT AND PRIOR TO FINAL PAVING, REMOVE GATE BOX AND PLACE GATE BOX LID ON POLYVINYL PIPE RISER.
2. COAT ALL EXPOSED STEEL NOT IN CONTACT WITH SOIL WITH TWO (2) COATS OF KEYSITE 750, MINIMUM DRY-FILM THICKNESS OF FIVE (5) MILS EACH COAT, FINAL COAT TO BE MINIMUM TEN (10) AND MAXIMUM SIXTEEN (16) MILS.

LONG BEACH WATER DEPARTMENT

AIR RELIEF ASSEMBLY

DESIGNED BY	RECOMMENDED
CHECKED BY MANABAT	<i>Don Lewis</i> BUREAU ENGINEER C.E. NO. 19113
DATE 4-7-87	APPROVED
SCALE NONE	<i>J.C. [Signature]</i> GENERAL MANAGER C.E. NO. 16644
SUPERSEDES DWG. NO.	SHEET
A5 - 991	WDS-212
DRAWN BY STANLEY	LOSS



2 INCH AIR RELIEF ASSEMBLY

LONG BEACH WATER DEPARTMENT	
AIR RELIEF ASSEMBLY AUTOMATIC AIR RELIEF	
DESIGNED BY	RECOMMENDED
CHECKED BY MANABAT	<i>Manabat</i> BUREAU ENGINEER C.E. NO. 19113
DATE 6-5-87	APPROVED
SCALE NONE	<i>LC Lane</i> GENERAL MANAGER C.E. NO. 16044
SUPERSEDES DWG. NO. A5-354	SHEET 4 OF 5
DRAWN BY STANLEY	WDS-212