

EAST JORDAN
IRON WORKS, INC.
P.O. BOX 439
EAST JORDAN, MI. 49727
1-800-874-4100
FAX 231-536-4458

DRAWN SBB	DATE 11/22/02
APPROVED	DATE

**MANHOLE
COVER
(LBIW X163)**

PRODUCT NO.
00316326

CATALOG NO.
3163C

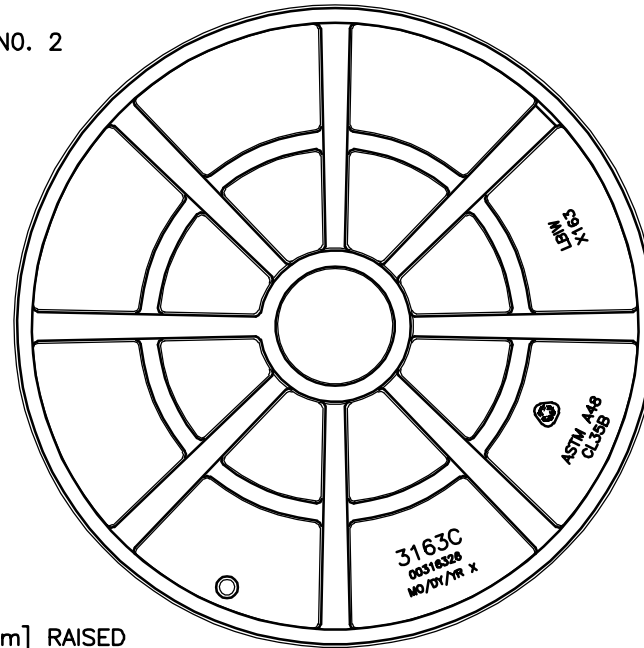
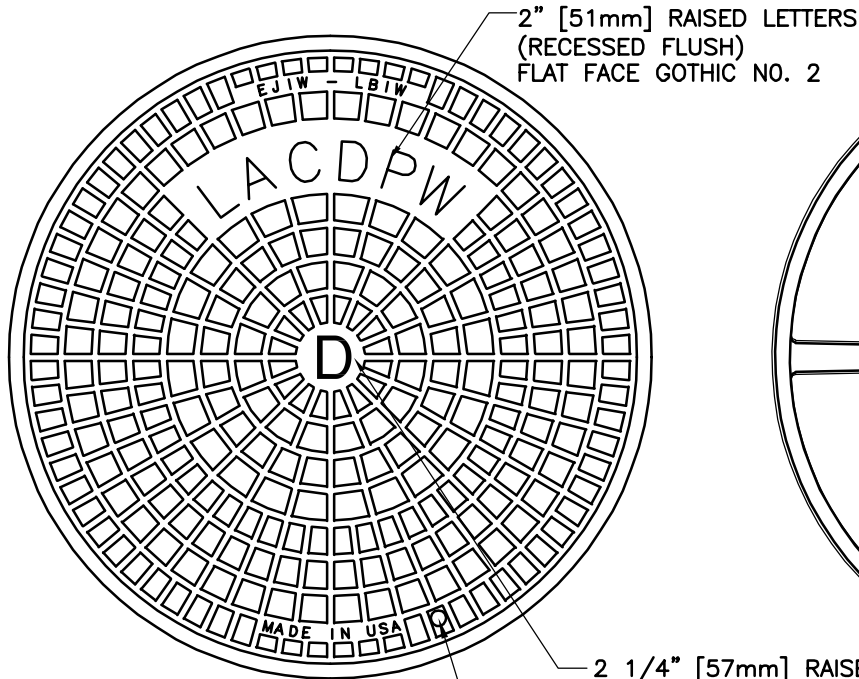
REF. PRODUCT DRAWING
00316320

EST. WT.
COVER: 320 LBS 145kg

OPEN AREA
N/A

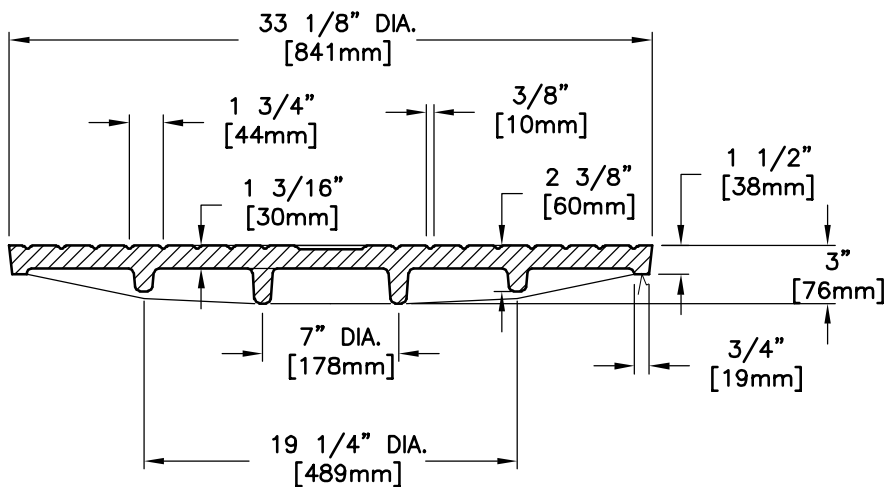
MAT'L SPEC.
COVER - GRAY IRON
ASTM A48 CL35

LOAD RATING
HEAVY DUTY



2 1/4" [57mm] RAISED
LETTERS (RECESSED FLUSH)
FLAT FACE GOTHIC NO. 2

13/16" [21mm] DIA
HANDLING HOLE



√ MACHINED SURFACE