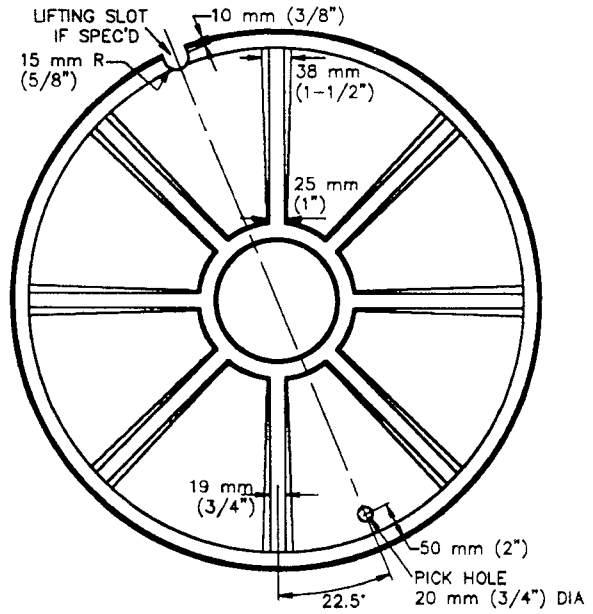
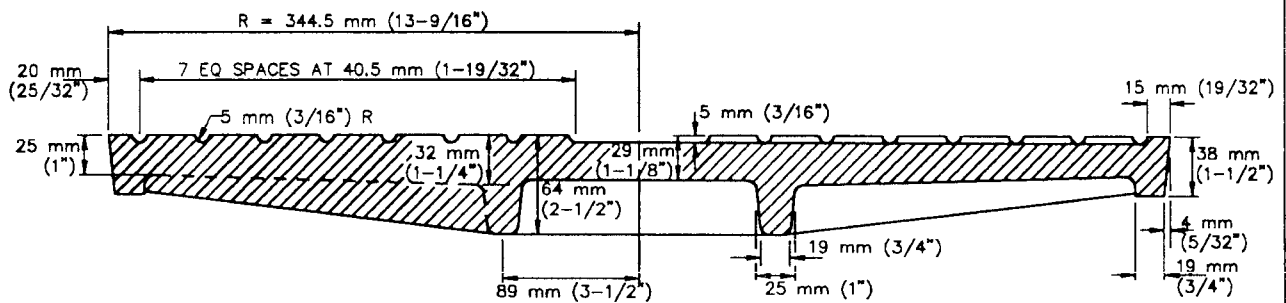


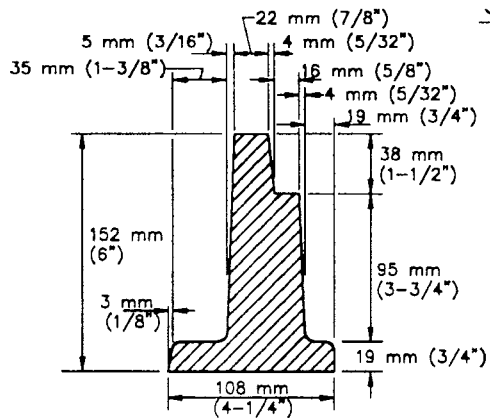
TOP OF COVER



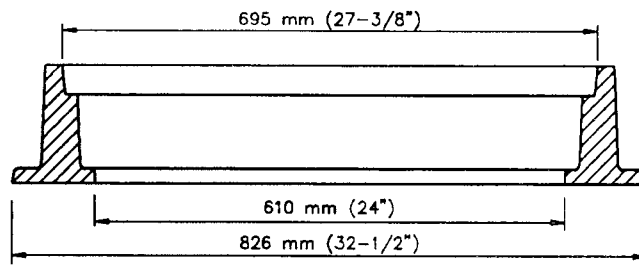
BOTTOM OF COVER



SECTION A-A



FRAME DETAIL



SECTION THRU FRAME

AMERICAN PUBLIC WORKS ASSOCIATION - SOUTHERN CALIFORNIA CHAPTER

PROMULGATED BY THE
PUBLIC WORKS STANDARDS INC.,
GREENBOOK COMMITTEE
1984
REV. 1998

**610 mm (24") MANHOLE FRAME
AND COVER**

USE WITH STANDARD SPECIFICATIONS FOR PUBLIC WORKS CONSTRUCTION

STANDARD PLAN
METRIC
630 - 2
SHEET 1 OF 2

SEE RDMD STANDARD PLAN 630-2-OC FOR CONDITIONS

NOTES:

1. THE CAST IRON USED SHALL CONFORM TO ASTM A-48 CLASS 35B.
2. COVERS SHALL BE CAST WITH THE LETTER "D" FOR STORM DRAINS AND "S" FOR SEWERS, AND THE AGENCY'S IDENTIFICATION IN ACCORDANCE WITH INSTRUCTIONS FURNISHED BY THE AGENCY. THE LETTER "D" OR "S" SHALL BE APPROXIMATELY 65 mm (2-1/2") HIGH WITH 15 mm (1/2") LINE WIDTH, AND PLACED IN THE CENTER OF THE COVER. ALL LETTERS SHALL BE FLUSH WITH THE FINISHED SURFACE OF THE COVER.
3. FOUNDRY IDENTIFYING MARK, HEAT AND DATE SHALL BE CAST ON THE BOTTOM OF THE COVER AND ON THE INSIDE OF THE FRAME.
4. IMPORTED COVERS AND FRAMES SHALL HAVE THE COUNTRY OF ORIGIN MARKING IN COMPLIANCE WITH FEDERAL REGULATIONS.
5. WEIGHT OF FRAME SHALL BE 118 kg (260 LBS). WEIGHT OF COVER SHALL BE 79 kg (175 LBS). ACTUAL WEIGHTS SHALL BE WITHIN A RANGE OF 95% TO 110%.
6. THE MANHOLE FRAME AND COVER SHALL BE INSPECTED BY THE ENGINEER PRIOR TO SHIPMENT TO THE JOB SITE. ACCEPTANCE WILL BE INDICATED BY THE AGENCY'S MARK.
7. THE PROOF-LOAD FOR TEST METHOD B OF THE STANDARD SPECIFICATIONS IS 180 kN (40,700 LBS).
8. COVERS FOR MANHOLES LOCATED IN EASEMENTS, ALLEYS, PARKWAYS AND ALL PLACES OTHER THAN PAVED STREETS SHALL BE PROVIDED WITH SOCKET-SET SCREW LOCKING DEVICES. DRILL AND TAP TWO HOLES TO A DEPTH OF ONE INCH AT 90 DEGREES TO PICK HOLE AND INSTALL 20 mm x 20 mm (3/4" x 3/4") STAINLESS STEEL SOCKET-SET SCREWS WITH 10 mm (3/8") RECESSED HEX HEAD. ALL THREADS SHALL BE N.C.
9. DIMENSIONS SHOWN ON THIS PLAN FOR METRIC AND ENGLISH UNITS ARE NOT EXACTLY EQUAL VALUES. IF METRIC UNITS ARE USED, ALL VALUES USED FOR CONSTRUCTION SHALL BE METRIC VALUES. IF ENGLISH UNITS ARE USED, ALL VALUES USED FOR CONSTRUCTION SHALL BE ENGLISH VALUES.

AMERICAN PUBLIC WORKS ASSOCIATION - SOUTHERN CALIFORNIA CHAPTER

610 mm (24") MANHOLE FRAME & COVER

STANDARD PLAN
METRIC
630 - 2
SHEET 2 OF 2

SEE RDMD STANDARD PLAN 630-2-OC FOR CONDITIONS

The following Standard Plans for Public Works Construction, 1997 Edition, of the American Public Works Association (Southern California Chapter) and Associated General Contractors of California (Southern California Districts) have been adopted by Orange County Resources & Development Management Department (RDMD) with conditions which shall apply to RDMD use. The conditions are listed below.

<u>APWA #</u>	<u>RDMD #</u>	<u>Name and Conditions</u>
630-2	630-2-0C	<u>24-Inch (610 mm) Manhole Frame and Cover</u>

- I. A certificate of compliance stating that the manhole frame(s) and cover (s) furnished comply in all respects with the requirements of the specifications. Such certificates shall be signed by the manufacturer, shall clearly identify the lot on the certificate and shall be furnished with each lot.

Manhole frame(s) and cover(s) produced outside the United States shall be furnished with a certificate of compliance along with complete copies of all tests and test results from a private testing firm located within California at no additional expense to the Agency. The testing firm shall be experienced in and knowledgeable of the testing of manhole frames and covers and shall provide proof of liability insurance for an amount not less than \$500,000 in a form acceptable to County's Risk Management.

ORANGE COUNTY RESOURCES & DEVELOPMENT MANAGEMENT DEPARTMENT

Approved

H. I. Nakasone
H. I. Nakasone, Chief Engineer

Adopted: Res. 91-1481

Revised: Res. 06-010

STD. PLAN

630-2-0C

APWA STANDARD PLAN -24" MANHOLE FRAME AND COVER

SHT. 1 OF 1