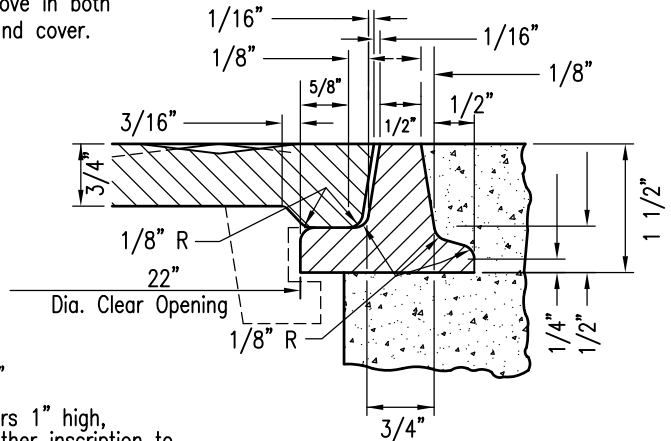
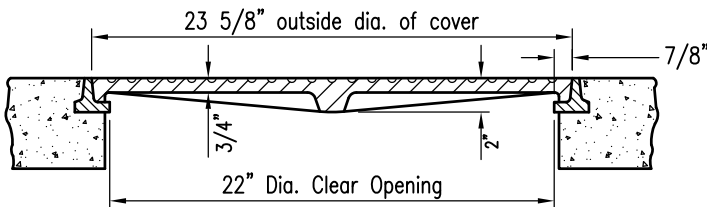


TOP OF FRAME & COVER

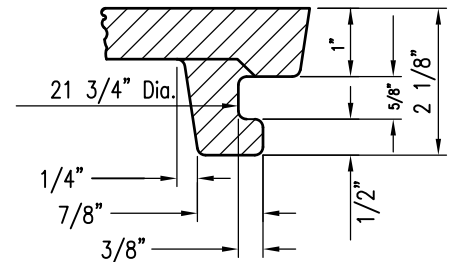
Letters 1" high, no other inscription to appear on exposed surfaces.



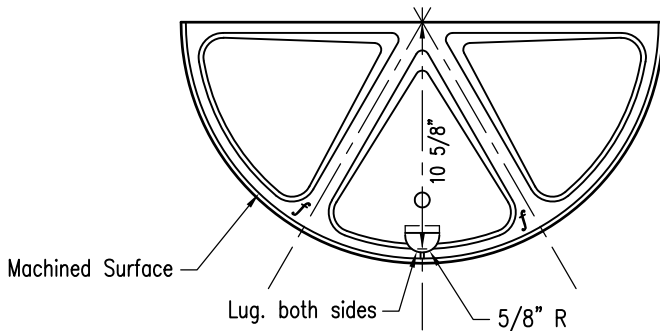
SECTION THROUGH RIM



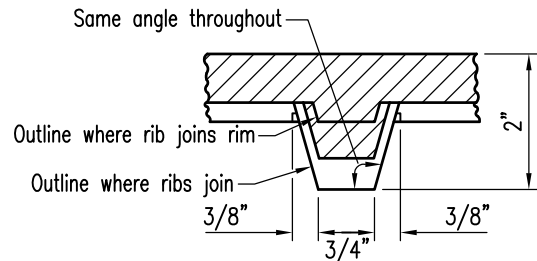
SECTION THROUGH FRAME & COVER



SECTION THROUGH LUG



BOTTOM OF COVER



SECTION THROUGH RIB AT MID RADIUS

NOTES

1. Frame and cover shall be cast iron. Cast iron shall conform to ASTM 48, Class 30.
2. Frame and cover for use in non-traffic area only.
3. Weights: Frame 29 lbs - 33 lbs.
Cover 95 lbs. - 110 lbs.
4. Imported frames and covers shall have the country of origin marked in compliance with federal regulations.

| FOR | MARK |
|----------------------|-------------|
| Sewer Projects | Sewer |
| Storm Drain Projects | Storm Drain |
| Water Projects | Water |

| Revision | By | Approved | Date |
|----------|--------|----------------|-------|
| ORIGINAL | | Kercheval | 12/75 |
| Delete | Metric | D. Gerschoffer | 05/12 |
| Reviewed | | D. Gerschoffer | 12/15 |
| Reviewed | | D. Gerschoffer | 10/18 |

SAN DIEGO REGIONAL STANDARD DRAWING

24" MANHOLE FRAME AND COVER
LIGHT DUTY

RECOMMENDED BY THE SAN DIEGO REGIONAL STANDARDS COMMITTEE

M. Stanton 10/25/2018
Chairperson R.C.E. 19246 Date

DRAWING NUMBER M-02