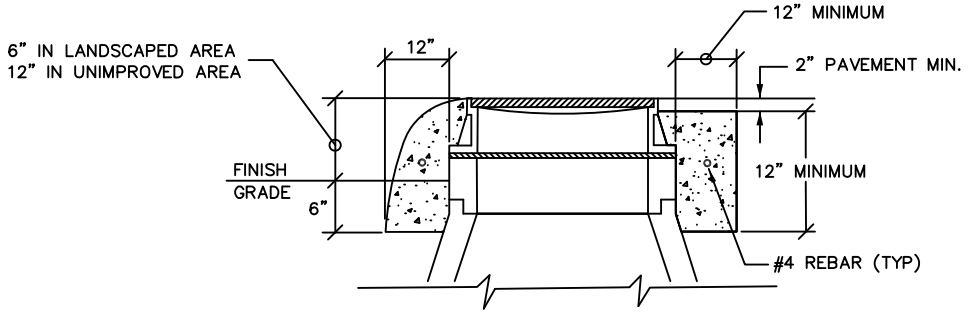


NOTES

- MANHOLE LIDS SHALL BE SEALED WITH AN APPROVED RUBBER GASKET.
- JOINTS SHALL BE MORTARED INSIDE AND OUT.
- UNUSED CHANNELS SHALL BE COMPLETELY FILLED WITH GROUT.
- STUBS SHALL BE PLUGGED AND END MARKED ABOVE FINISHED GRADE WITH A REDWOOD 4 BY 4 POST PAINTED GREEN
- IF AN ECCENTRIC CONE IS USED, PLACE SUCH THAT THE OPENING IS OVER THE UPSTREAM INVERT.
- NO CAULDER OR REPAIR COUPLINGS SHALL BE USED ON NEW CONSTRUCTION
- FLOW LINES SHALL HAVE A 1/10 DROP OR AS INDICATED ON PLANS
- MANHOLES WITH DROPS SHALL BE EPOXY COATED. THE COATING SHALL BE APPLIED PER SEC. 91-10K OF THESE STANDARDS.



CONCRETE COLLAR DETAIL

Derrick Whitehead

DERRICK WHITEHEAD
ENVIRONMENTAL UTILITIES DIRECTOR

CITY OF ROSEVILLE CALIFORNIA ENVIRONMENTAL UTILITIES DEPARTMENT

SEWER MANHOLE STANDARD 48 INCH

SCALE: NONE
REVISED: MARCH 2007
DRAWN BY: R. VAN NESS
APPROVED BY: D. WHITEHEAD

SS-2