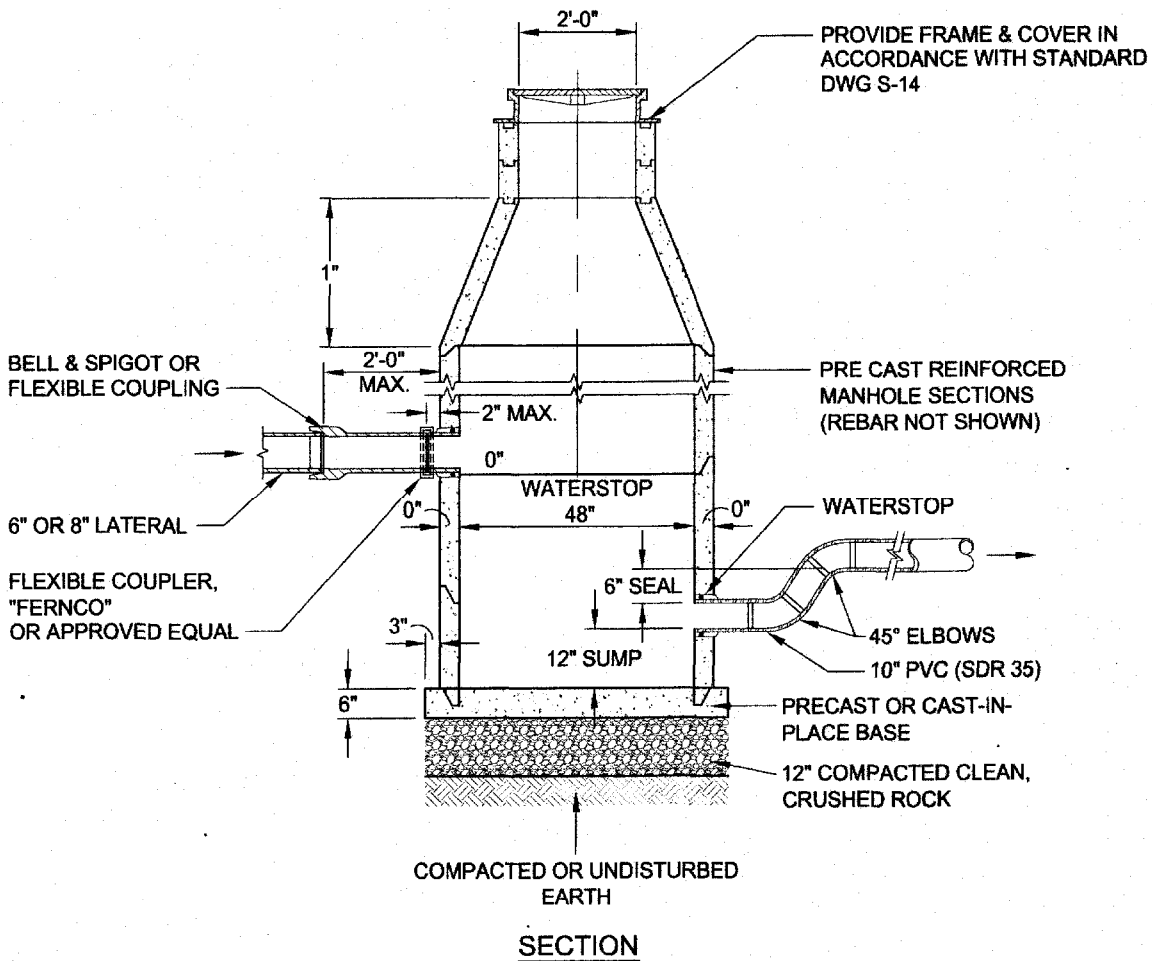
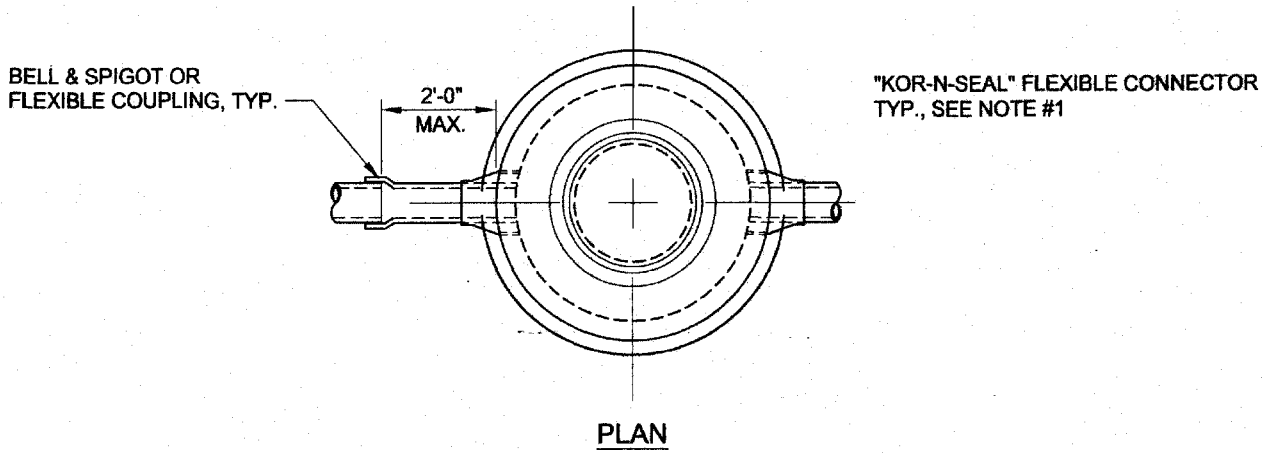


**NOTES:**

- MANHOLES SHALL CONFORM TO SECTION 25 OF THE STANDARD SPECIFICATIONS. ANY CONNECTIONS ABOVE MANHOLE BASE SHALL BE CORED AND INSTALLED WITH RESILIENT FLEXIBLE CONNECTION. AN ADDITIONAL FLEXIBLE CONNECTION SHALL BE PLACED 24" OUTSIDE BASE.



REV.	DATE	DESCRIPTION