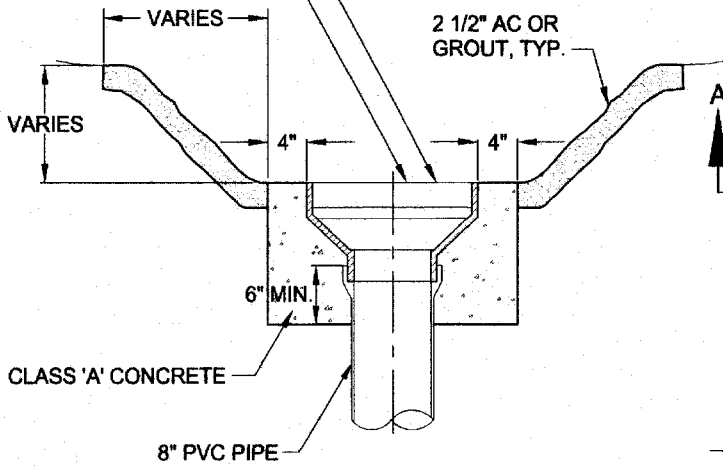
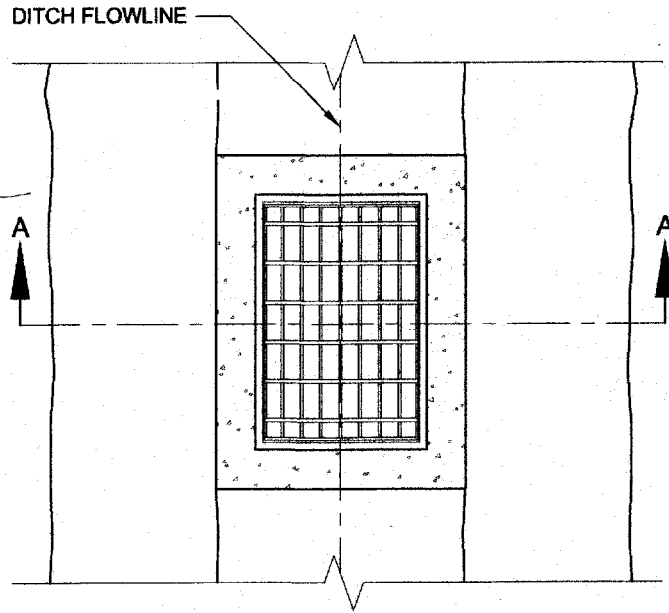


FINAL LOCATION AND ELEVATION TO BE DETERMINED BY THE ENGINEER IN THE FIELD.

CONSTRUCT LEVEL.



SECTION A-A

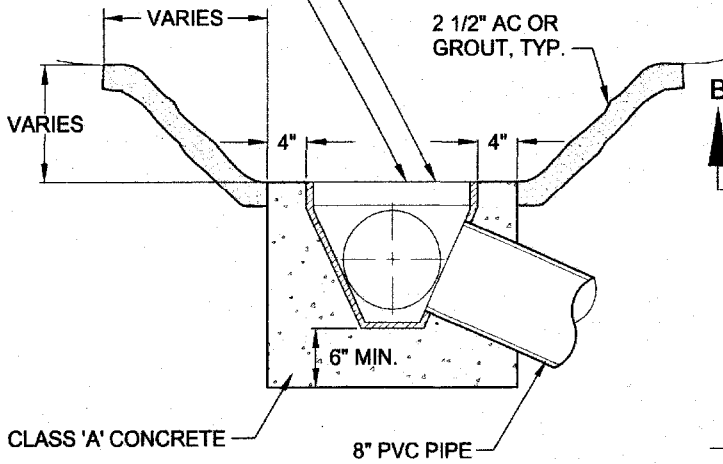


PLAN

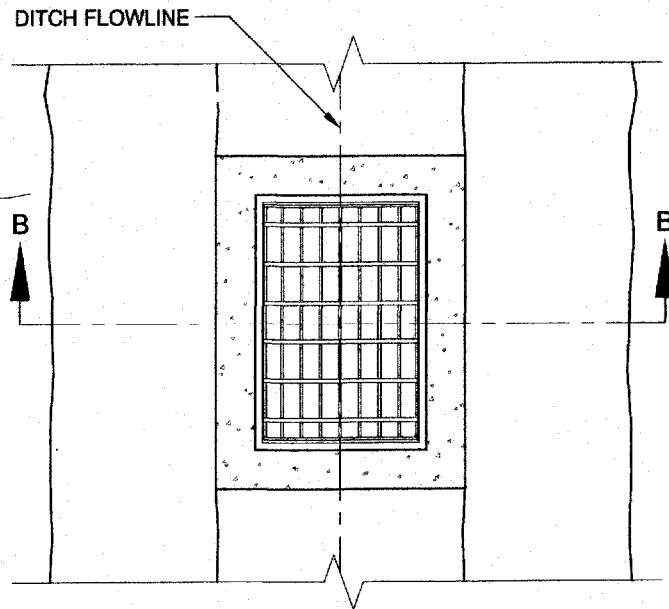
GUTTER DRAIN No. 20 DITCH INSTALLATION

FINAL LOCATION AND ELEVATION TO BE DETERMINED BY THE ENGINEER IN THE FIELD.

CONSTRUCT LEVEL.



SECTION B-B



PLAN

GUTTER DRAIN No. 24 DITCH INSTALLATION

**NOTE:**

NOT TO BE USED WITHOUT DEPARTMENTAL APPROVAL.

REV.	DATE	DESCRIPTION