

**COVER IDENTIFICATION:**

"TRAFFIC SIGNAL" – TRAFFIC SIGNAL CIRCUITS, INCLUDING THOSE WITH STREET OR SIGN LIGHTING.

"STREET LIGHTING" – CIRCUITS LESS THAN 600V.

"STREET LIGHTING-HIGH VOLTAGE" – 600V OR MORE.

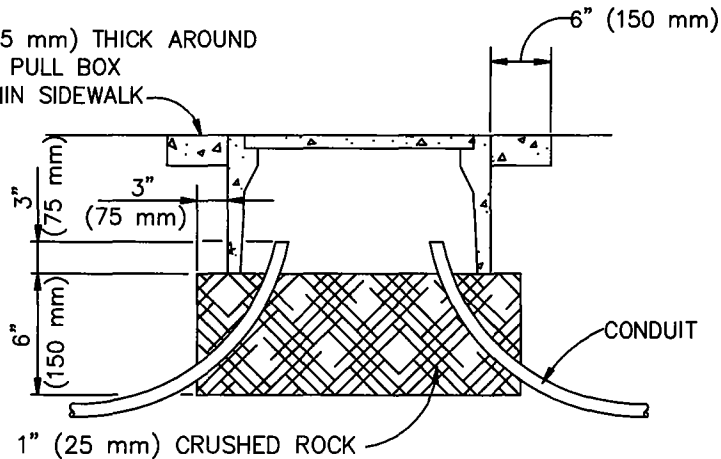
"SPRINKLER CONTROL" – CIRCUITS LESS THAN 50V.

**NOTE:**

BOXES SHALL BE PCC AND COVERS SHALL BE NON-BOLTDOWN TYPE UNLESS OTHERWISE NOTED.

PULL BOX NO.	TYPE	DIMENSIONS (mm)			
		OUTSIDE		COVER	
		A	B	C	D
3 1/2	PCC	19" (485)	13" (330)	15" (380)	10" (255)
5	PCC	25" (635)	15" (380)	21 3/4" (550)	11 3/4" (300)
6	PCC	34" (865)	22" (560)	29 3/4" (755)	17 3/4" (450)
3 1/2	PLASTIC	16 3/8" (415)	11" (280)	15 3/8" (390)	10" (255)
5	PLASTIC	24" (610)	14 11/16" (375)	23" (584)	13 11/16" (350)
6	PLASTIC	31 1/2" (800)	18 5/8" (475)	30 1/2" (775)	17 3/4" (450)

PCC APRON, 3" (75 mm) THICK AROUND PULL BOX. OMIT IF PULL BOX CONSTRUCTED WITHIN SIDEWALK



**STREET LIGHT PULL BOX INSTALLATION**

**STANDARD PLANS FOR PUBLIC WORKS CONSTRUCTION**

PROMULGATED BY THE  
PUBLIC WORKS STANDARDS INC.  
GREENBOOK COMMITTEE  
2005  
REV. 2009

**PULL BOXES**

STANDARD PLAN

**405-1**

USE WITH STANDARD SPECIFICATIONS FOR PUBLIC WORKS CONSTRUCTION

SHEET 1 OF 2