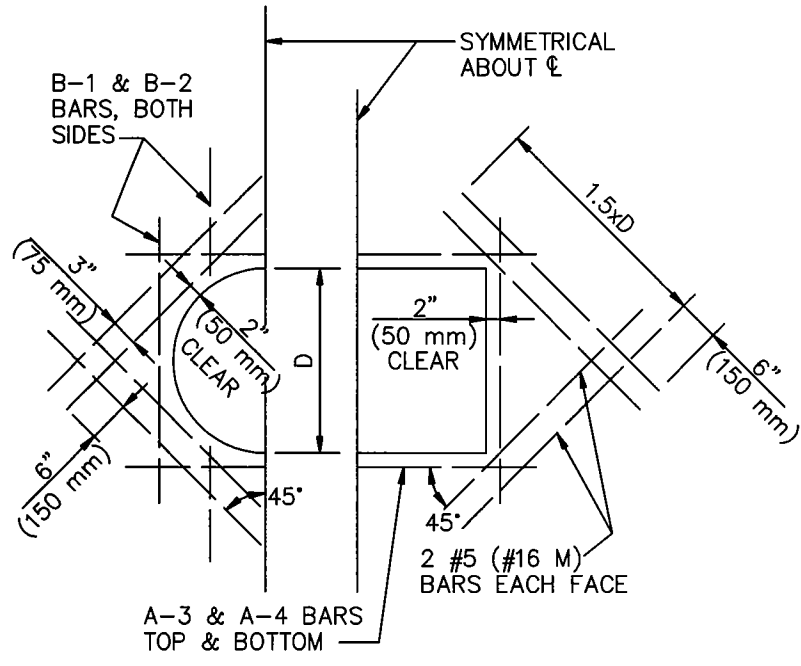


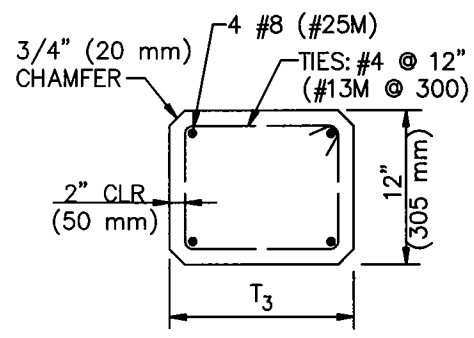
PIPE OR BOX PER PLANS. MAX INLET PIPE SLOPE = 0.10. SEE PLANS REGARDING NEED FOR THRUST BLOCK &/OR PCC COLLAR.

4" OR 6" FILLET (100 OR 150 mm), TYP

SECTION A-A



SECTION D-D



NOTE: ARMOR PLATE NOT SHOWN.

SECTION G-G

STANDARD PLANS FOR PUBLIC WORKS CONSTRUCTION		STANDARD PLAN
ENERGY DISSIPATOR – IMPACT BASIN WITH VERTICAL BAFFLE WALL		384-3
		SHEET 2 OF 10