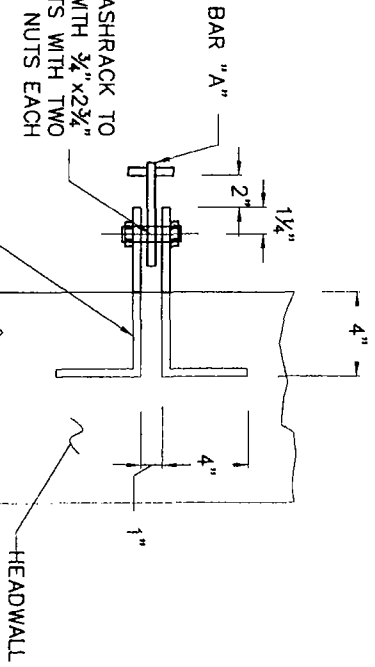


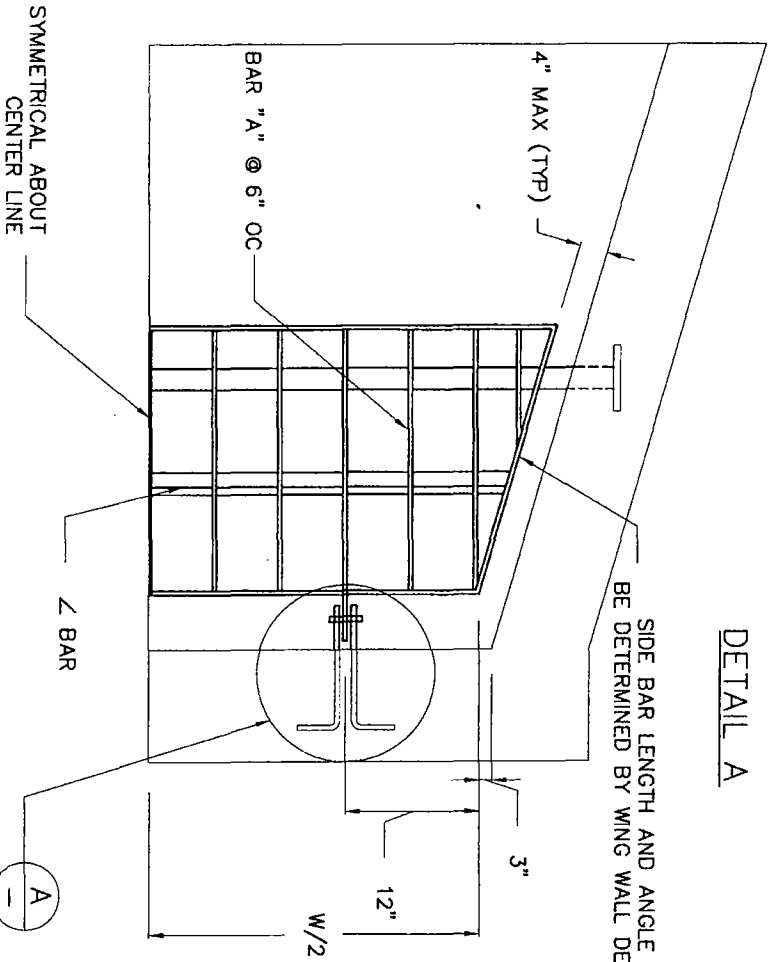
CONNECT TRASHRACK TO
BRACKET WITH $\frac{3}{4}$ "x2 $\frac{3}{4}$ "
HEX BOLTS WITH TWO
HEX NUTS EACH

2"x12"x $\frac{3}{8}$ " BAR

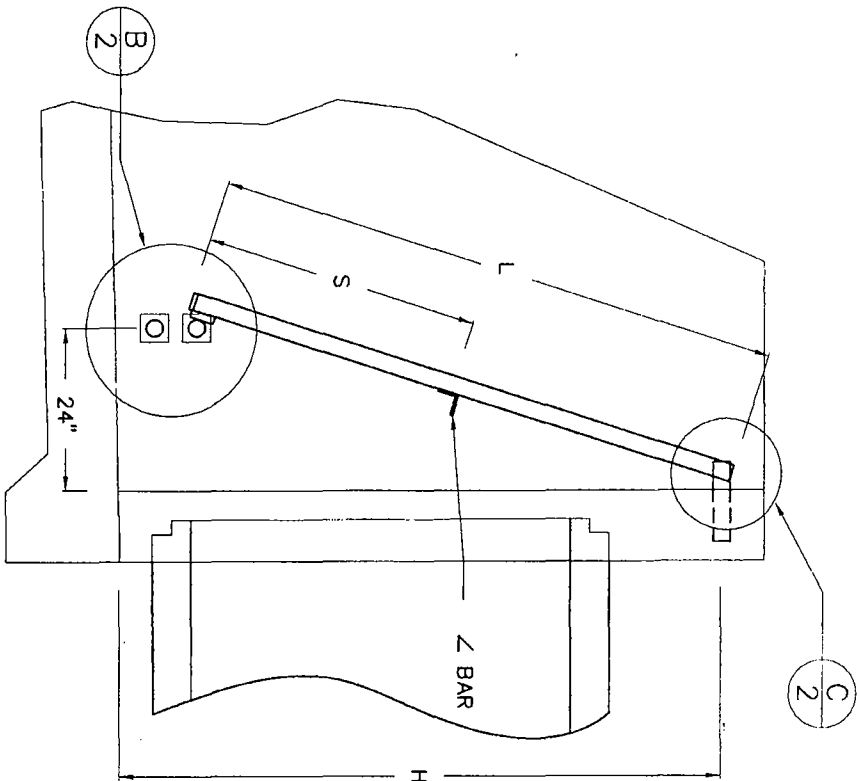
DETAIL A



SIDE BAR LENGTH AND ANGLE WILL
BE DETERMINED BY WING WALL DESIGN



TOP VIEW



SIDE VIEW

David DeBruin
DIRECTOR, DEPARTMENT OF WATER RESOURCES

SACRAMENTO COUNTY
MUNICIPAL SERVICES AGENCY

TRASH RACK
24" - 36" PIPE

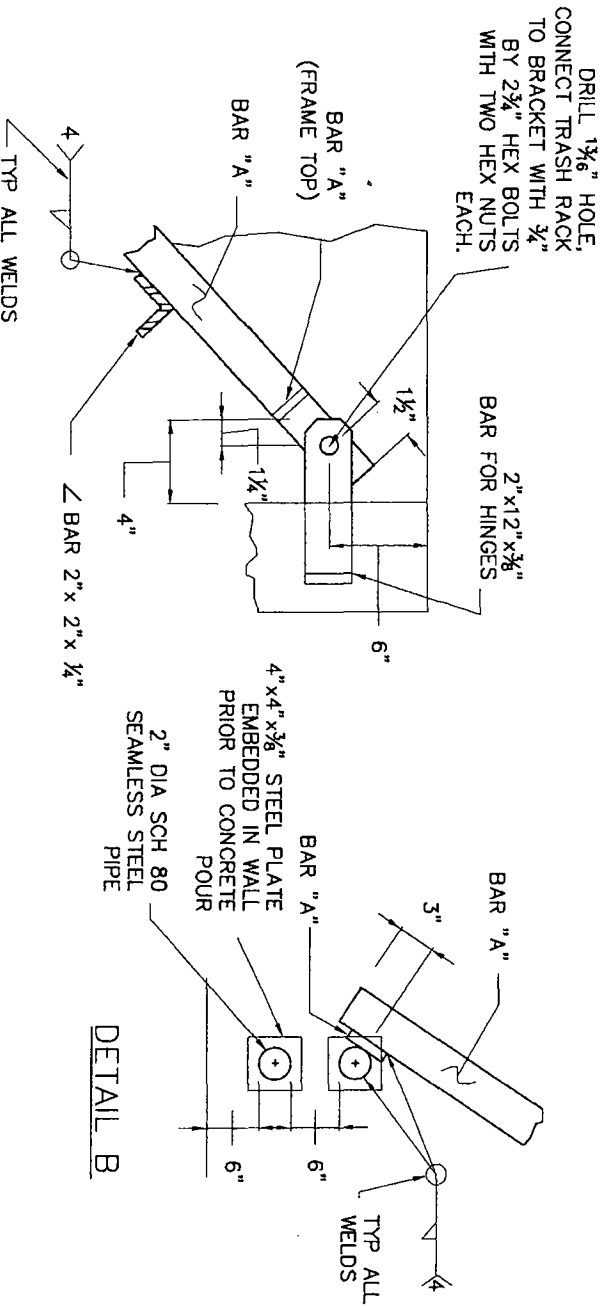
DRAWN BY: J. ESLABON
SCALE: NONE
DATE: 1/03

9-26G
SHEET 1 OF 4

TRASH RACK DIMENSIONS

PIPE DIA (IN)	PIPE OD (IN)	QUANTITY* BAR "A"	BAR "A" SIZE (IN)	H (IN)	W (IN)	L (IN)	S (IN)
24	30	11	3/8 x 2 1/2	46	48	40	18
27	33.5	11	3/8 x 2 1/2	50	48	42	19
30	37	11	3/8 x 2 1/2	53	48	46	21
33	40.5	11	3/8 x 2 1/2	57	48	52	24
36	44	13	3/8 x 2 1/2	60	60	52	24

* INCLUDES OUTSIDE FRAME



DETAIL A

DETAIL B

NOTES:

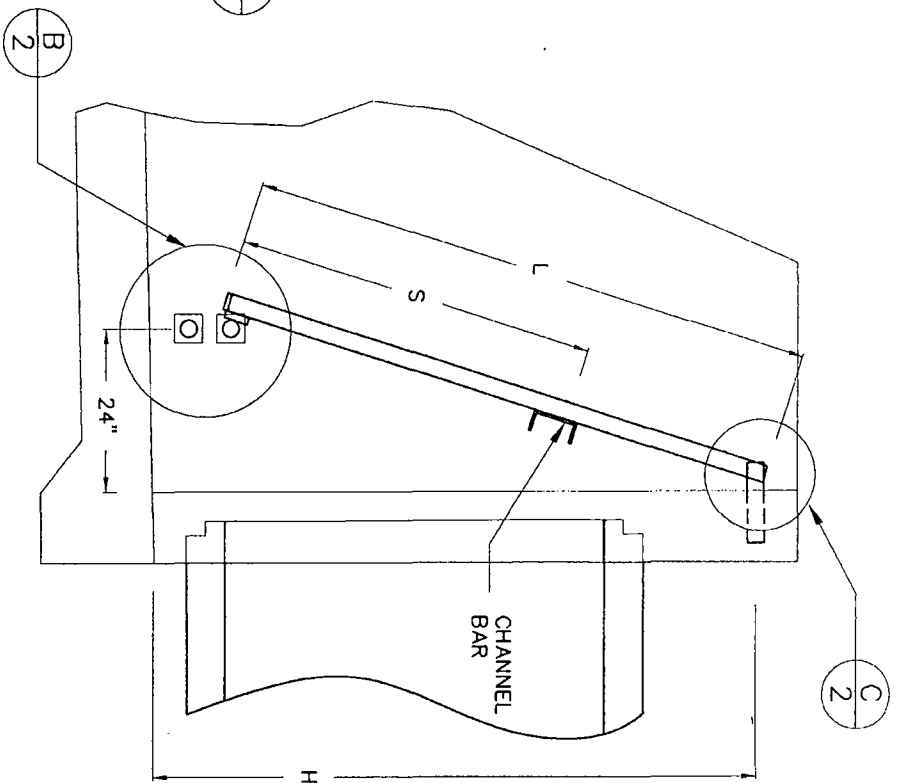
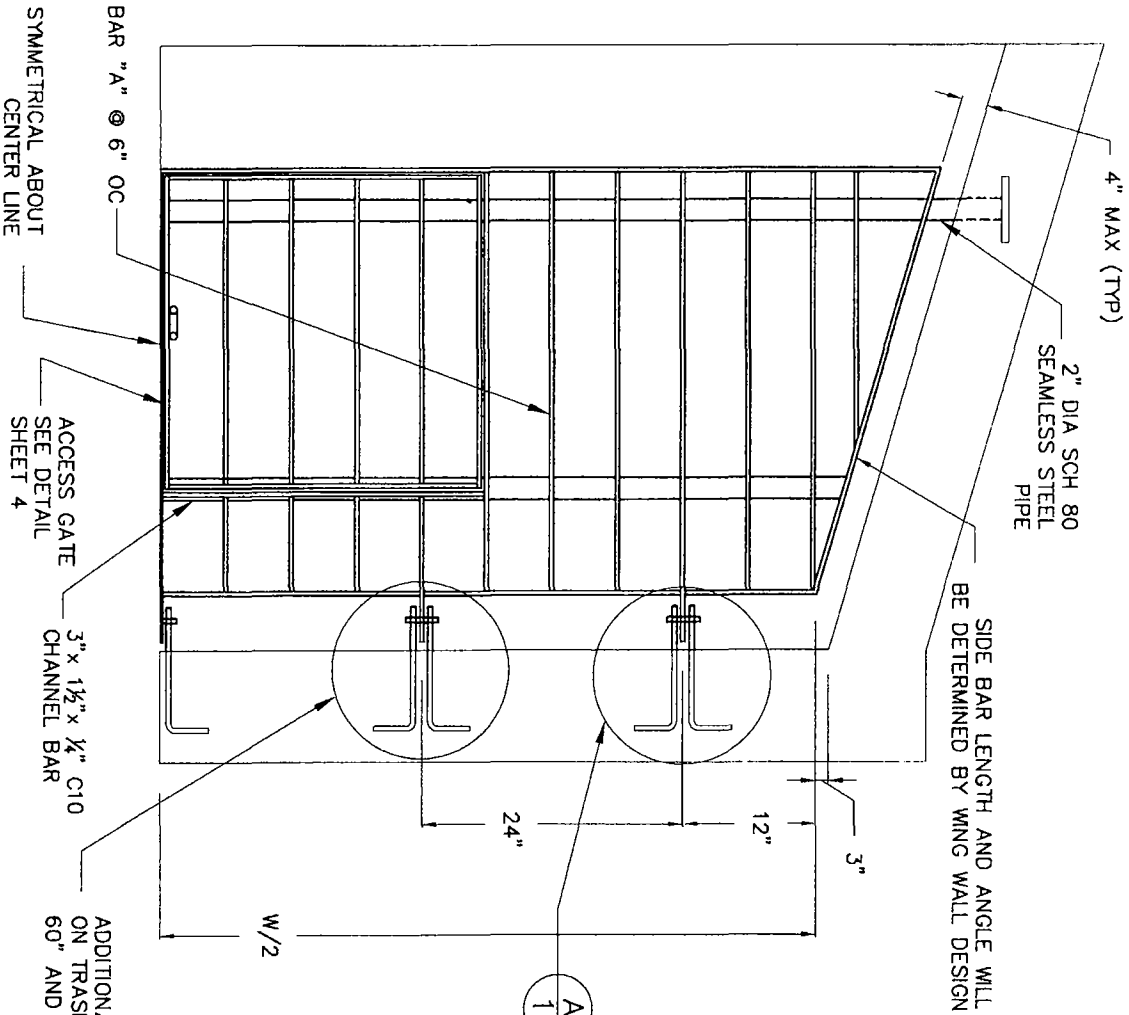
- ① SEE FIGURE 9-26H FOR PIPE HEADWALL DETAILS.
- ② MATERIAL TO CONFORM TO ASTM DESIGNATION A-36. GALVANIZE ALL EXPOSED FERROUS PARTS AFTER FABRICATION.
- ③ ALL FILLET WELDS TO BE 3/8".
- ④ ALL STEEL SHALL CONFORM TO SECTION 75 OF THE STATE SPECIFICATIONS AND ASTM A36, A575 AND A576.

J. Eslabon
DIRECTOR, DEPARTMENT OF WATER RESOURCES

DRAWN BY: J. ESLABON
SCALE: NONE
DATE: 1/03

9-26G
SHEET 2 OF 4

SACRAMENTO COUNTY
MUNICIPAL SERVICES AGENCY
TRASH RACK
24" - 36" PIPE



ADDITIONAL HINGE REQUIRED
ON TRASH RACK FOR
60" AND 72" PIPE

TOP VIEW

SIDE VIEW

BAR "A" @ 6" OC
SYMMETRICAL ABOUT
CENTER LINE

ACCESS GATE
SEE DETAIL
SHEET 4

3" x 1 1/2" x 1/4" C10
CHANNEL BAR

2" DIA SCH 80
SEAMLESS STEEL
PIPE

SIDE BAR LENGTH AND ANGLE WILL
BE DETERMINED BY WING WALL DESIGN

Shirley DeLuna

DIRECTOR, DEPARTMENT OF WATER RESOURCES

SACRAMENTO COUNTY
MUNICIPAL SERVICES AGENCY
TRASH RACK
42" PIPE AND LARGER

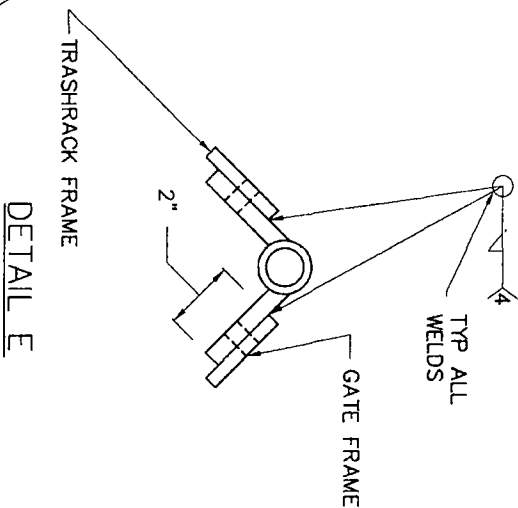
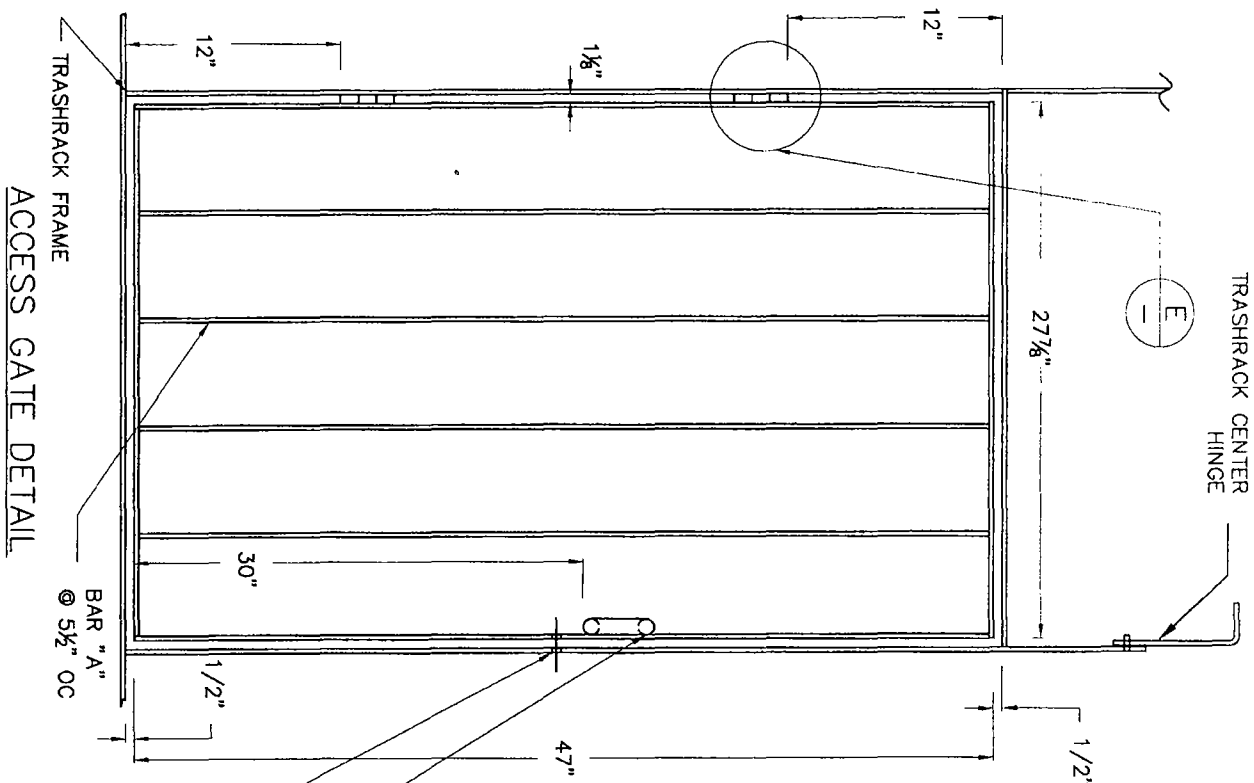
DRAWN BY: J. ESLABON
SCALE: NONE
DATE: 1/03

9-26G
SHEET 3 OF 4

TRASH RACK DIMENSIONS

PIPE DIA (IN)	PIPE OD (IN)	QUANTITY* BAR "A"	BAR "A" SIZE (IN)	H (IN)	W (IN)	L (IN)	S (IN)
42	51	15	3/8x2-1/2	67	72	60	47-3/4
48	58	17	3/8x2-1/2	74	84	70	47-3/4
54	65	21	3/8x2-1/2	81	108	72	47-3/4
60	72	23	3/8x2-1/2	88	120	80	47-3/4
72	86	27	3/8x2-1/2	102	144	96	47-3/4

*Includes outside frame



DETAIL E

1/2" ROLLED STEEL HANDLE WELDED TO GATE FRAME
 DRILL 1/2" DIA HOLE FOR HEAVY DUTY PAD LOCK

- NOTES:
- SEE FIGURE 9-26H FOR PIPE HEADWALL DETAILS.
 - MATERIAL TO CONFORM TO ASTM DESIGNATION A-36. GALVANIZE ALL EXPOSED FERROUS PARTS AFTER FABRICATION.
 - ALL FILLET WELDS TO BE 3/8".
 - ALL STEEL SHALL CONFORM TO SECTION 75 OF THE STATE SPECIFICATIONS AND ASTM A36, A575 AND A576.
 - GATE HINGES TO BE COATED TO RESIST CORROSION.

Steve Dalva
 DIRECTOR, DEPARTMENT OF WATER RESOURCES

SACRAMENTO COUNTY
 MUNICIPAL SERVICES AGENCY
TRASH RACK
42" PIPE AND LARGER

DRAWN BY: J. ESUABON
 SCALE: NONE
 DATE: 1/03

9-26G
 SHEET 4 OF 4