

**SECTION**

**EAST JORDAN  
IRON WORKS, INC.**  
P.O. BOX 439  
EAST JORDAN, MI. 49727  
1-800-874-4100  
FAX 231-536-4458

DRAWN DEW	DATE 10/10/00
APPROVED	DATE

MANHOLE FRAME

PRODUCT NO.  
**00222211**

CATALOG NO.  
**00222211**

REF. PRODUCT DRAWING  
NA

EST. WT.  
FRAME: 51 LBS 23kg

OPEN AREA  
N/A

MAT'L SPEC.  
FRAME - GRAY IRON  
ASTM A48 CL35

LOAD RATING  
**NON-TRAFFIC**

**EAST JORDAN  
IRON WORKS, INC.**  
P.O. BOX 439  
EAST JORDAN, MI. 49727  
1-800-874-4100  
FAX 231-536-4458

DRAWN  
SBB

DATE  
09/30/03

APPROVED

DATE

2223A COVER

PRODUCT NO.

**00222321**

CATALOG NO.

**2223A**

REF. PRODUCT DRAWING

NA

EST. WT.

COVER: 90LBS 41kg

OPEN AREA

N/A

MAT'L SPEC.

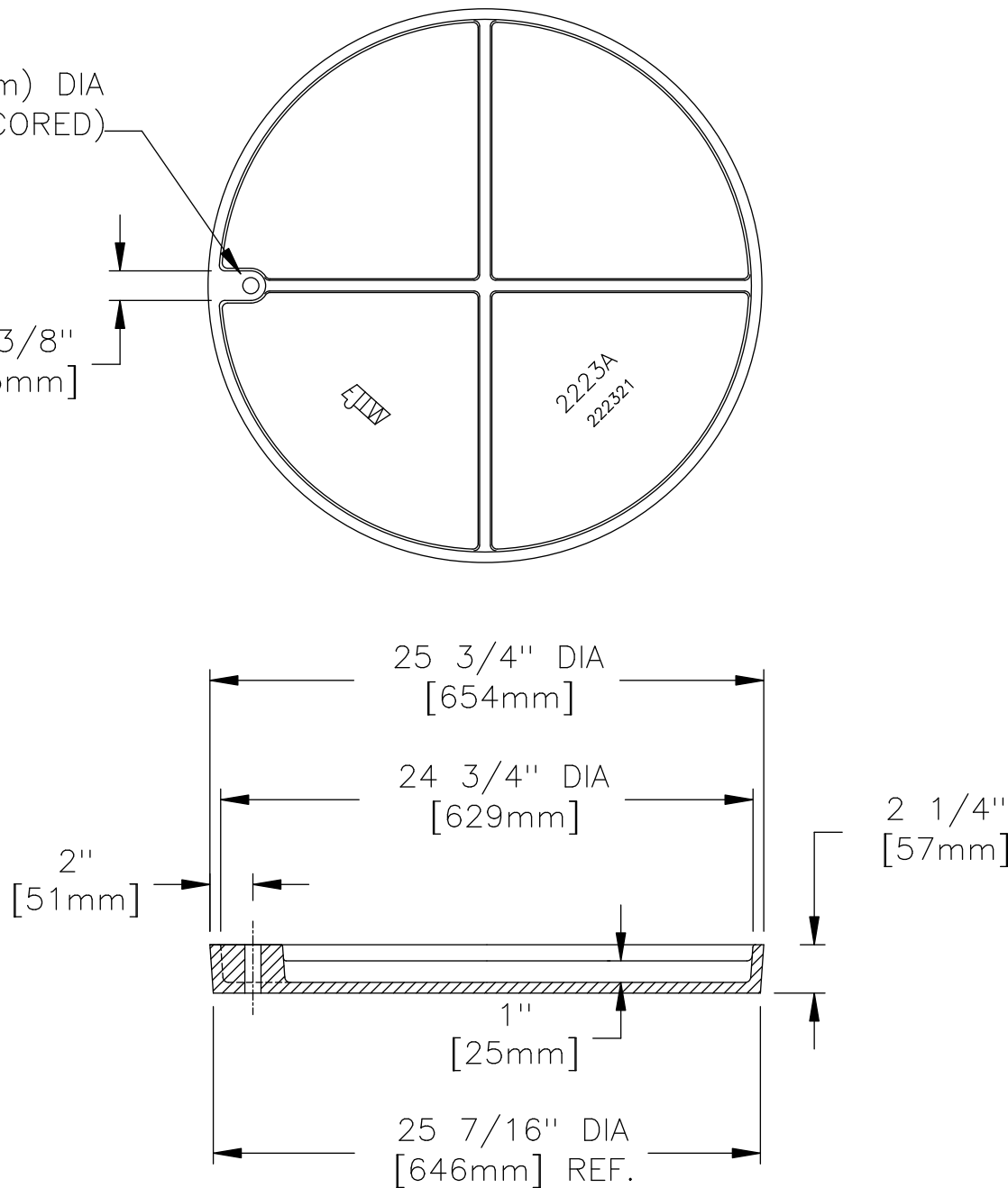
COVER - GRAY IRON  
ASTM A48 CL35

LOAD RATING

**NON-TRAFFIC**

(1) 3/4" (19mm) DIA  
LIFTING HOLE (CORED)

1 3/8"  
[35mm]



**SECTION**