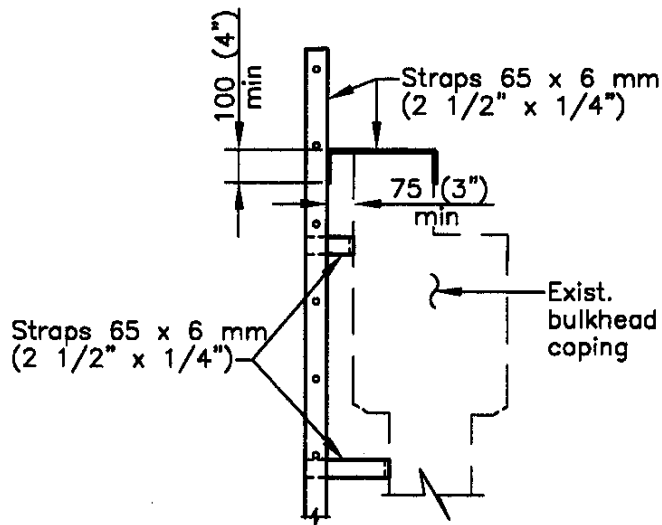


**FRONT VIEW**



**SIDE VIEW**

All dimensions are millimeters except as noted.

<b>REVISIONS</b>		<b>CITY OF LONG BEACH, CALIFORNIA</b> DEPARTMENT OF PUBLIC WORKS	<b>STANDARD PLAN NO.</b>
<b>NO.</b>	<b>DATE</b>		<b>METRIC</b>
1	06/10/98	<b>WELDED STEEL LADDER</b>	<b>809</b>
2	12/23/02		<b>SHEET</b>
3		APPROVED BY: <i>Mal Christoffel</i> CITY ENGINEER R.E. No. 40599	<b>1 OF 1</b>
4			DATE: 1/10/03 EX. DATE 03/31/03