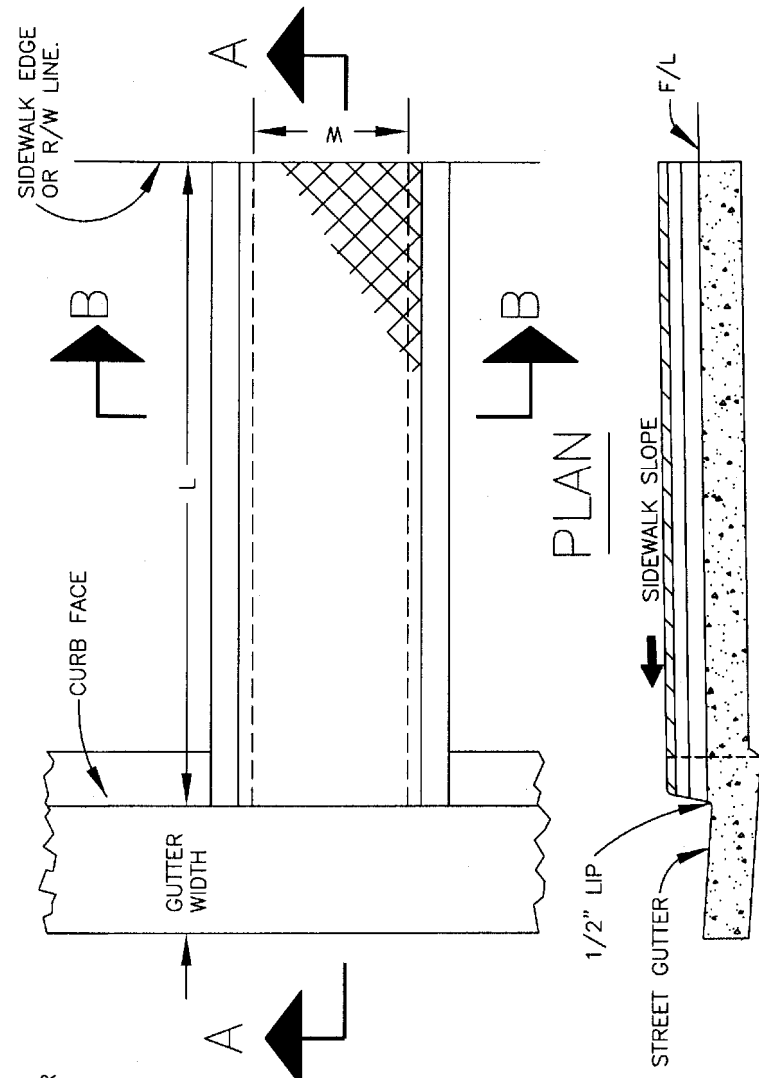
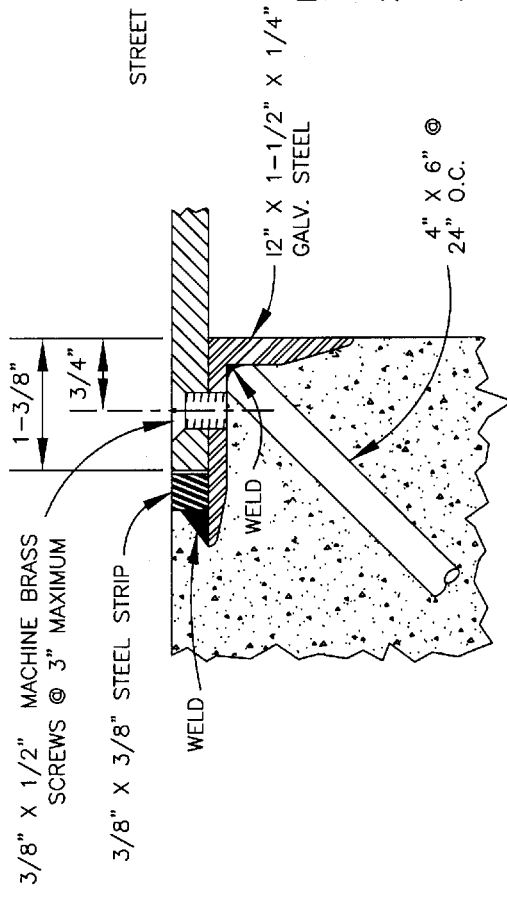


SECTION B-B



SECTION A-A



DETAIL

NOTE:

1. L - Length of sidewalk drain as shown on Plans.
2. W - Width of sidewalk drain as shown on Plans, 2' maximum. Widths exceeding 2' shall be approved by City Engineer.
3. Concrete - Class 560-B-3250 per Standard Specifications for Public Works Construction.
4. 3/8" X 3/8" steel strip - tack welded to angle at 12".
5. All exposed steel to be galvanized after fabrication.

REVISED	DATE	APPROVED	CITY OF SANTA BARBARA - PUBLIC WORKS DEPARTMENT	STANDARD DETAIL
		<i>Anthony J. Davis</i>		
		PUBLIC WORKS DIRECTOR		
			CURB OUTLET DRAIN - TYPE A	2-006.0-06