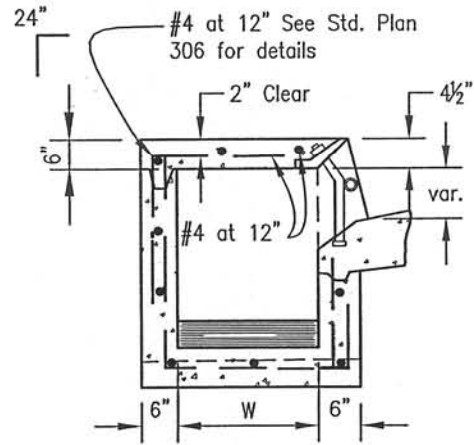
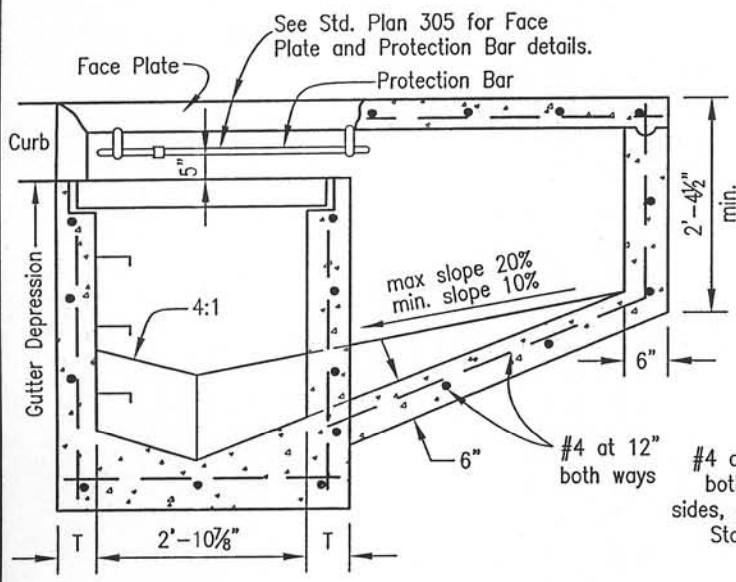


PLAN

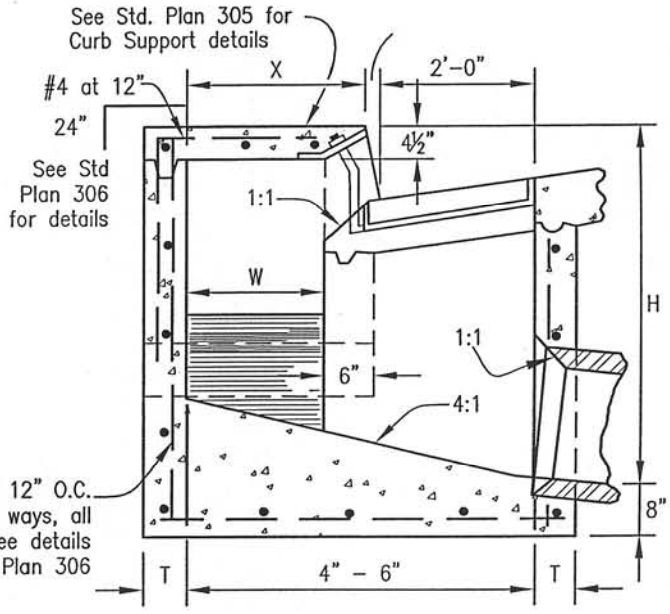


SECTION H-H

local dep. Std. Plan#	CURB FACE HEIGHT	X	W
307	12"	2'-4"	1'-10"
308	10"	2'-4½"	1'-10½"



SECTION F-F



SECTION G-G

H	T
8'-0" or less	6"
8'-1" to 20'-0"	8"

NOTES:

1. Curb opening shall conform to curb alignment.
2. See Std. Plans 305 and 306 for details and notes.
3. See Std. Plans 307 and 308 for local depression details.
4. See Std. Plan 329 for Pipr Connection to Catch Basins.



3-25-04  
DATE APPROVED

*[Signature]*  
PUBLIC WORKS DIRECTOR/C.E.  
*[Signature]*  
ASSISTANT CITY ENGINEER

CITY OF ORANGE PUBLIC WORKS DEPARTMENT

INLET TYPE III  
(G.O.L.)

STANDARD  
PLAN No.  
303