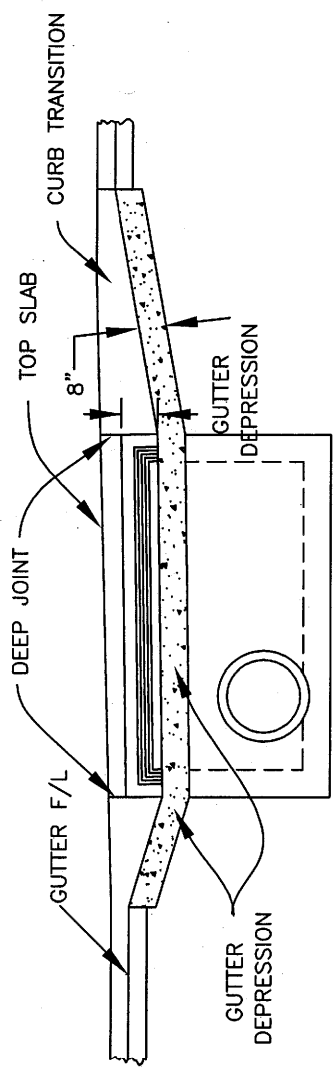


#4 EACH SIDE
12" MIN. INTO CURB

NOTES:

1. Gutter depression, curb transition and structure's top slab shall be poured monolithic.
2. Surface finish of gutter depression shall be light broom finish.
3. Concrete strength and curing compound per Detail 2-002.1.
4. Gutter depression shall be 3 inches.
5. Deep joint shall be 2" deep.

PLAN - INLET ON GRADE



SECTION AT GUTTER F/L

REVISED	DATE	APPROVED	CITY OF SANTA BARBARA - PUBLIC WORKS DEPARTMENT	STANDARD DETAIL
		<i>Anthony J. [Signature]</i>	GUTTER DEPRESSION - TYPE A	2-004.0-06

1/31/07
DATE

PUBLIC WORKS DIRECTOR