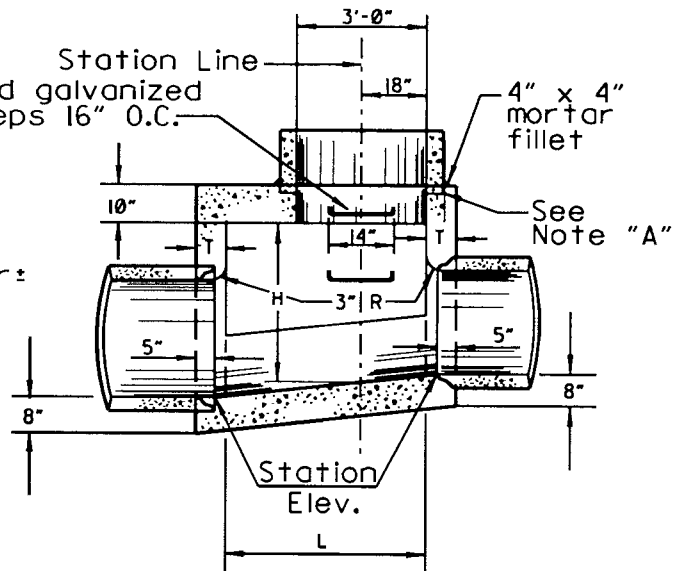
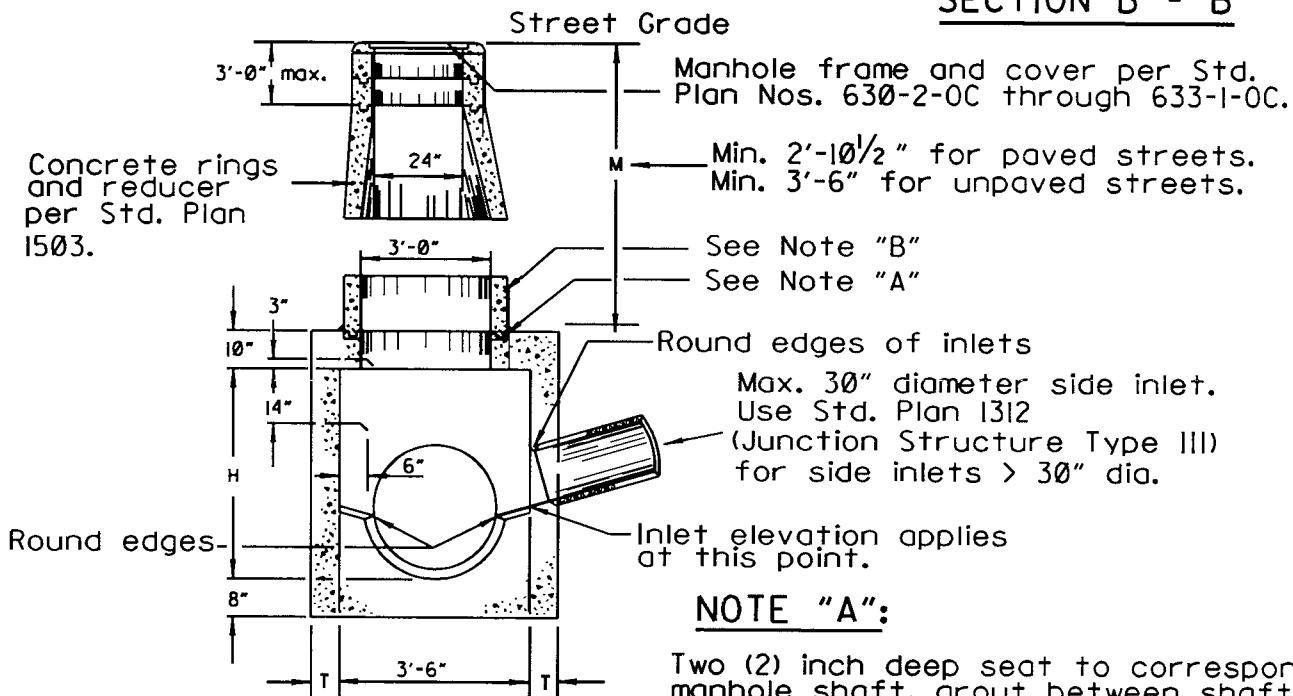


PLAN

(Shaft not shown)



SECTION B - B



SECTION A - A

NOTE:

Use Junction Structure Type I for outlet pipe diameter less than 42" and inlet diameters of 30" or less.

NOTE "A":

Two (2) inch deep seat to correspond to manhole shaft, grout between shaft & seal

NOTE "B":

Construct Deep Manhole Landing(s) per Std. Plan 1508 and increase junction structure bottom width to 4'-0" minimum when the combined depth of the pipe diameter and manhole shaft (M) is 20' or greater and the manhole shaft is greater than 12' or, as directed by the engineer.

ORANGE COUNTY RESOURCES & DEVELOPMENT MANAGEMENT DEPARTMENT

Approved

H. I. Nakasone
H. I. Nakasone, Chief Engineer

Adopted: Res. 77-92

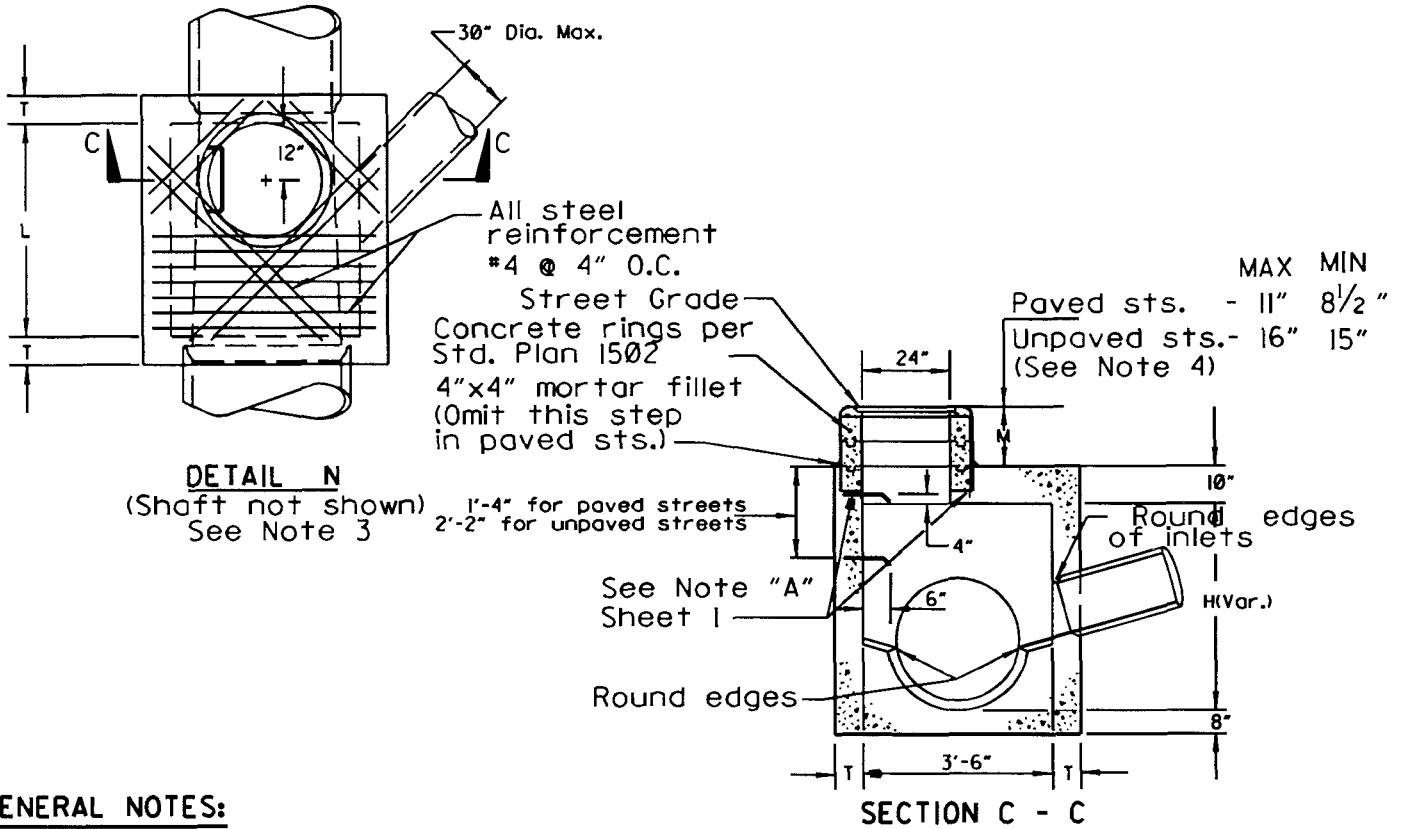
Revised: Res. 82-718; 83-1442; 86-1141; 91-1481; 96-546; 06-010

STD. PLAN

1310

JUNCTION STRUCTURE - TYPE I

SHT. 1 OF 2



GENERAL NOTES:

1. Height H in Sec. A-A and Sec. B-B shall be not less than 4'-0", but may be increased at option of the Engr., provided that the value of M shall be not less than the minimum specified and that the reducer shall be used for H in Sec. C-C (see Note 4).
2. Length L shall be 4'-0" for inlets of 20" or less and 5'-0" for inlets greater than 20" unless otherwise shown on the improvement plan. May be increased a max. of (1) foot at each end to meet pipe ends. Continue #4 at 4" O.C.
3. Shaft shall be constructed as per Sec C-C and Detail N when depth M from street grade to top of box is less than 2'-10 1/2" for paved streets or 3'-6" for unpaved streets.
4. Depth M may be reduced to an absolute limit of 6" when larger values of M would reduce H in Sec. C-C to 3'-6" or less.
5. T shall be 8" for values of H up to and including 8'. T shall be 10" for values of H over 8'.
6. Construct steps per Standard Plan 1307.
7. Reinforcing steel shall be #4 bars, deformed, straight bars 1/2" clear from face of concrete.
8. Stations of manholes shown on plan apply at centerline of shaft.
9. Floor of manhole shall be steel-troweled.
10. Rings, reducer and pipe for access shaft shall be seated in 1:2 mortar and neatly pointed or wiped inside shaft.
11. Ledge shall be sloped at 2" per foot.

ORANGE COUNTY RESOURCES & DEVELOPMENT MANAGEMENT DEPARTMENT

Approved

H. I. Nakasone
 H. I. Nakasone, Chief Engineer

Adopted: Res. 77-92

Revised: Res. 82-718; 83-1442; 86-1141; 91-1481; 96-546; 06-010

STD. PLAN

1310

JUNCTION STRUCTURE - TYPE I

SHT. 2 OF 2