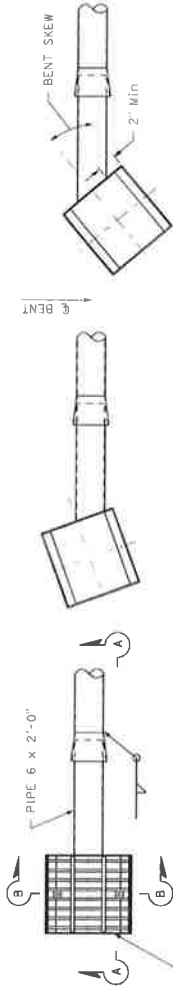
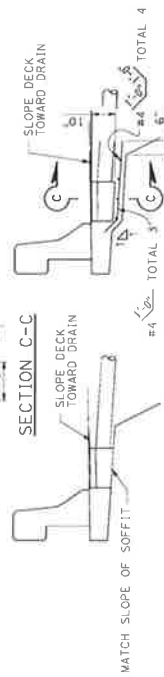


SHEET NO. 101  
 TOTAL SHEETS 101  
 DATE: MAY 31, 2018  
 PROJECT: 2018 STANDARD PLAN B7-7  
 DRAWN BY: [Signature]  
 CHECKED BY: [Signature]  
 TITLE: DECK DRAIN TYPE D-3  
 SCALE: AS SHOWN  
 PROJECT NO.: 6-30-18  
 SHEET NO.: 101 OF 101

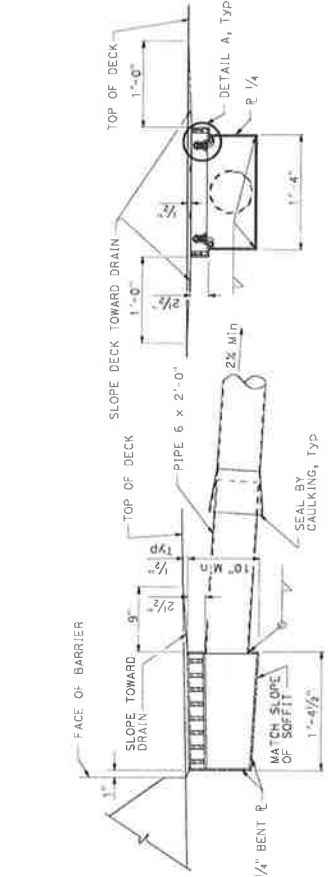


NO SKEW  
PLAN-DECK DRAIN ASSEMBLY

SKEW TO 20°



ELEVATION-DECK DRAIN LOCATIONS



DECK DRAIN ASSEMBLY DETAIL

SECTION B-B

SECTION A-A

LOCK BAR

GRATE

FRAME

DETAIL A

DETAIL 7-9

DETAIL 7-10

VIEW D-D

SECTION E-E

1" O.D. SPRING 0.095" W & M GAGE  
 1/2" O.D. SPRING 0.095" W & M GAGE  
 SPRING CONSTANT OF 24 LBS/INCH  
 SPRING TO HAVE FLAT GROUND ENDS.  
 BAR 2 1/4 x 1/2 x 1'-4 1/2"  
 3/8" Ø BENT THREADED ROD WITH 1 Hex NUT  
 AND 1 1/2" O.D. WASHER, TACK WELD NUT TO ROD  
 BAR 1/2 x 3/8 x 1'-3 3/4"  
 ANCHOR STUD  
 1/2" Ø x 1'-0"  
 BUSHING 3/4" O.D.  
 1/2" I.D. x 1 1/8"  
 BAR 1 1/2 x 1/4 x 1 1/2"  
 WITH 5/16" Ø HOLE  
 L2/2 x 2 x 1/4 x 1'-4"  
 SEE LOCK BAR DETAIL.  
 DETAIL A  
 1/4" BENT 6  
 WATCH SLOPE  
 OF SOFFIT  
 1'-4 1/2"  
 SEAL BY  
 CAULKING, Typ  
 PIPE 6 x 2'-0"  
 SLOPE DECK TOWARD DRAIN  
 1'-0"  
 TOP OF DECK  
 2 1/2"  
 10" Min  
 1/2"  
 FACE OF BARRIER  
 SLOPE TOWARD  
 DRAIN  
 2 1/2"  
 1'-0"  
 TOP OF DECK  
 SLOPE DECK TOWARD DRAIN  
 1'-0"  
 TOP OF DECK  
 DETAIL A, Typ  
 1/4"

NOTE:  
 For drain pipe alignment, sleeves, connection, drain  
 outlet details and notes, see Standard Plan B7-6.

STATE OF CALIFORNIA  
 DEPARTMENT OF TRANSPORTATION  
**DECK DRAIN  
 TYPE D-3**  
 NO SCALE

B7-7