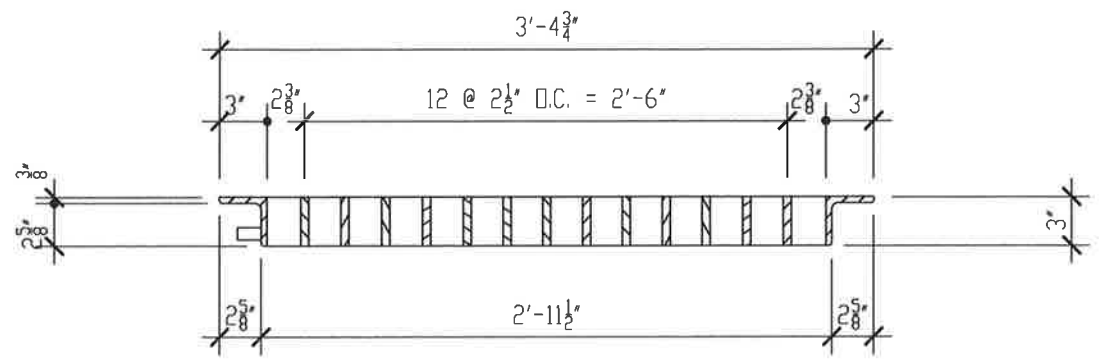
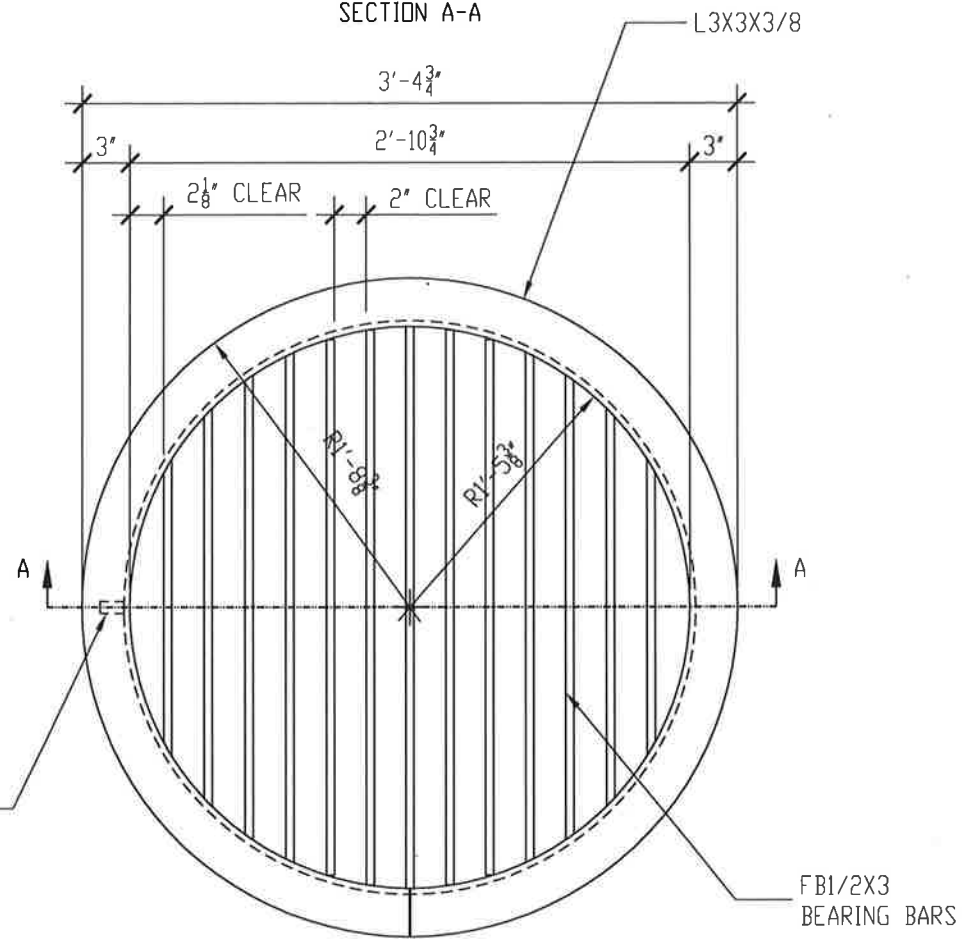




LBIW Inc.
 2020 WEST 14TH STREET
 LONG BEACH, CA. 90813
 Tel No. : (562) 432.5451
 Fax No. : (562) 435.5929
 www.lbiw.com



SECTION A-A



LB 36R CIRCULAR GRATE

PRODUCT NUMBER

LB 36R
 CIRCULAR
 GRATE



LOAD RATING

SPECIFICATIONS

MATERIAL : ASTM A36
COATING : ASTM A123
 (GALVANIZING)
 : MILL FINISH
 (UNCOATED)

MADE IN USA

EST. WEIGHT

225 LBS

STANDARD PLAN REFERENCE

*CALTRANS D77B

DRAWN

EB

DATE

06-07-17

REVISED

DATE

REFERENCE INFORMATION

LBIW CATALOG
 SECTION 07