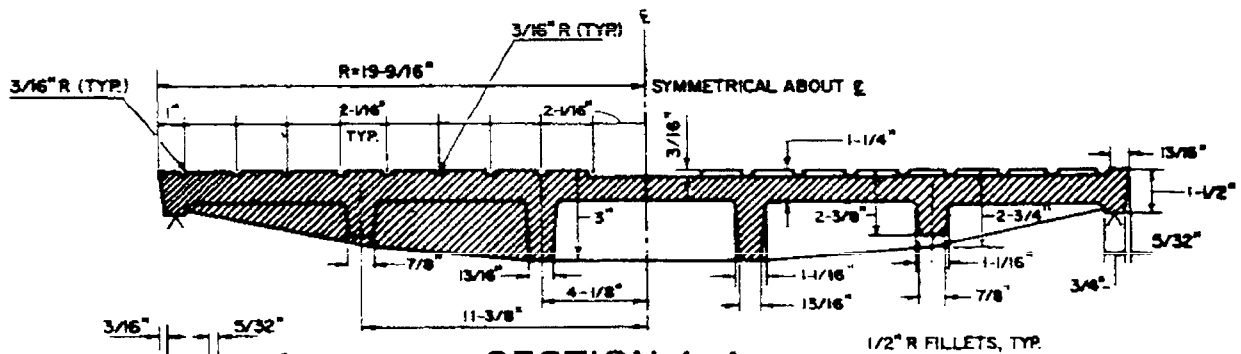
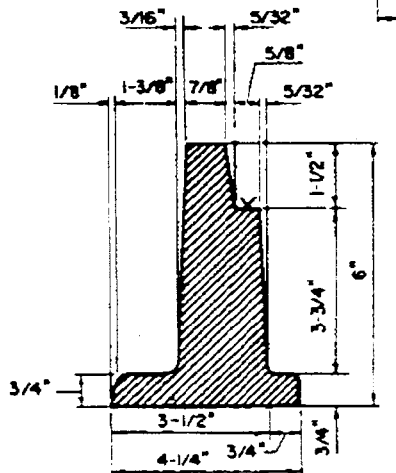


COVER FOR 36" CLEAR OPENING FRAME

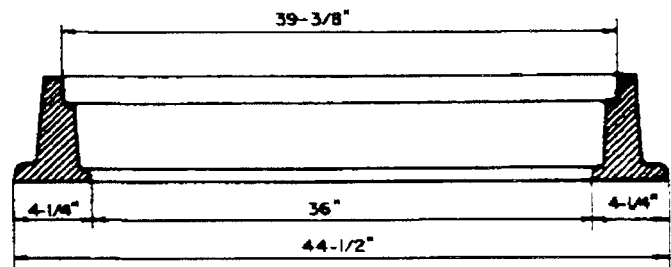
BOTTOM PLAN OF COVER



SECTION A-A



DETAIL OF FRAME



SECTION THRU FRAME

AMERICAN PUBLIC WORKS ASSOCIATION - SOUTHERN CALIFORNIA CHAPTER		
PROMULGATED BY THE APWA-AGC JOINT COOPERATIVE COMMITTEE 1984	36-INCH MANHOLE FRAME AND COVER	STANDARD PLAN 633-1
USE WITH STANDARD SPECIFICATIONS FOR PUBLIC WORKS CONSTRUCTION		
SHEET 1 OF 2		

SEE RDMD STANDARD PLAN 633-1-OC FOR CONDITIONS

NOTES:

1. THE CAST IRON USED SHALL CONFORM WITH ASTM A-48 CLASS 35B.
2. THE FRAME AND COVER SHALL BE COATED WITH ASPHALTUM OR BITUMINOUS PAINT AFTER TESTING AND INSPECTION.
3. COVERS SHALL BE CAST WITH THE LETTER "D" FOR STORM DRAINS AND "S" FOR SEWERS AND THE AGENCY'S IDENTIFICATION IN ACCORDANCE WITH INSTRUCTIONS FURNISHED BY THE AGENCY. THE LETTER "D" OR "S" SHALL BE APPROXIMATELY 2½ INCHES HIGH WITH ½-INCH LINE WIDTH AND PLACED IN THE CENTER OF THE COVER. ALL LETTERS SHALL BE FLUSH WITH THE FINISHED SURFACE OF THE COVER.
4. FOUNDRY IDENTIFYING MARK, HEAT AND DATE SHALL BE CAST ON THE BOTTOM OF THE COVER AND ON THE INSIDE OF THE FRAME.
5. IMPORTED COVERS AND FRAMES SHALL HAVE THE COUNTRY OF ORIGIN MARKING IN COMPLIANCE WITH FEDERAL REGULATIONS.
6. WEIGHT OF FRAME SHALL BE 425 POUNDS. WEIGHT OF COVER SHALL BE 480 POUNDS. ACTUAL WEIGHTS SHALL BE WITHIN A RANGE OF 95% TO 110%.
7. THE MANHOLE FRAME AND COVER SHALL BE INSPECTED BY THE ENGINEER PRIOR TO SHIPMENT TO THE JOB SITE. ACCEPTANCE WILL BE INDICATED BY THE AGENCY'S MARK.
8. THE PROOF LOAD FOR TEST METHOD B OF THE STANDARD SPECIFICATIONS IS 49,700 POUNDS.
9. COVERS FOR MANHOLES LOCATED IN EASEMENTS, ALLEYS, PARKWAYS AND ALL OTHER PLACES EXCEPT PAVED STREETS SHALL BE PROVIDED WITH SOCKET SET SCREW LOCKING DEVICES. DRILL AND TAP TWO HOLES TO A DEPTH OF ONE INCH AT 90 DEGREES TO PICK HOLE AND INSTALL ¾-INCH X ¾-INCH STAINLESS STEEL SOCKET SET SCREWS WITH ¾-INCH RECESSED HEX HEAD. ALL THREADS SHALL BE N.C.

AMERICAN PUBLIC WORKS ASSOCIATION – SOUTHERN CALIFORNIA CHAPTER

STANDARD PLAN

36-INCH MANHOLE FRAME AND COVER

633-1

SHEET 2 OF 2

SEE RDMD STANDARD PLAN 633-1-OC FOR CONDITIONS

The following Standard Plans for Public Works Construction, 1997 Edition, of the American Public Works Association (Southern California Chapter) and Associated General Contractors of California (Southern California Districts) have been adopted by Orange County Resources & Development Management Department (RDMD) with conditions which shall apply to RDMD use. The conditions are listed below.

<u>APWA #</u>	<u>RDMD #</u>	<u>Name and Conditions</u>
633-1	633-1-0C	<u>36-Inch Manhole Frame and Cover</u>

1. A certificate of compliance stating that the manhole frame(s) and cover(s) furnished comply in all respects with the requirements of the specifications. Such certificates shall be signed by the manufacturer, shall clearly identify the lot on the certificate and shall be furnished with each lot.

Manhole frame(s) and cover(s) produced outside the United States shall be furnished with a certificate of compliance along with complete copies of all tests and test results from a private testing firm located within Calif. at no additional expense to the Agency. The testing firm shall be experienced in and knowledgeable of the testing of manhole frames and covers and shall provide proof of liability insurance for an amount not less than \$500,000 in a form acceptable to County's Risk Management.

2. APWA Std. Plan No. 633-2 and 633-3 have not been approved for use in Orange County.

ORANGE COUNTY RESOURCES & DEVELOPMENT MANAGEMENT DEPARTMENT

Approved

H. I. Nakasone
H. I. Nakasone, Chief Engineer

Adopted: Res. 91-1481 Revised: Res. 96-546; 06-010

STD. PLAN

633-1-0C

APWA STANDARD PLAN -36-INCH MANHOLE FRAME AND COVER

SHT. 1 OF 1