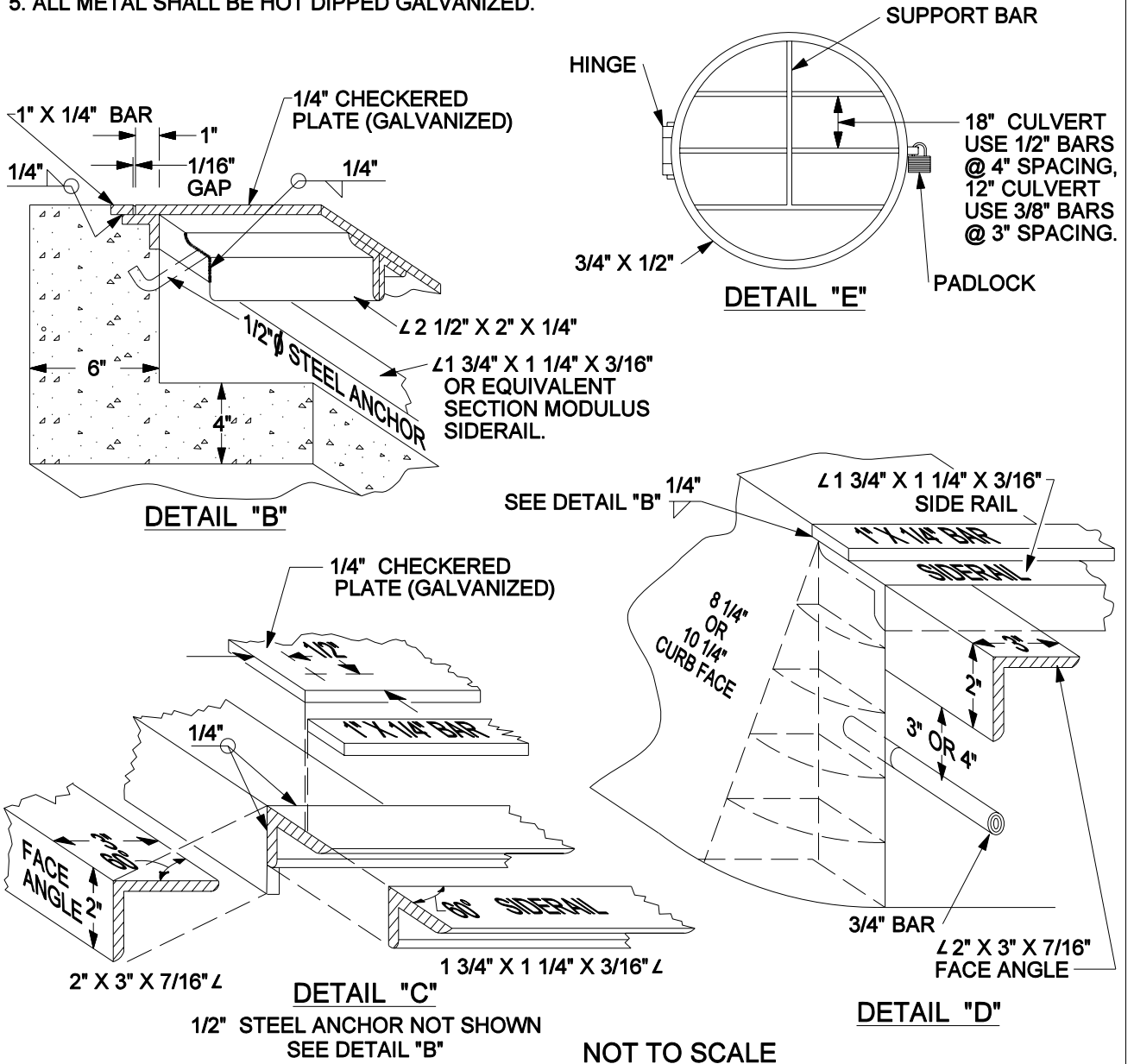


APPROVED BY:				COUNTY OF RIVERSIDE				
DATE: 11/15/04				<p align="center">FLAT OUTLET DRAINAGE STRUCTURE</p> <p align="center">STANDARD NO. 303 (1 OF 2)</p>				
DIRECTOR OF TRANSPORTATION GEORGE A. JOHNSON, RCE 42328								
REVISIONS	REV.	BY:	APR'D	DATE	REV.	BY:	APR'D	DATE
8-82, 9-88	1				4			
4-90, 11-04	2				5			
	3				6			

NOTE

1. FRAME SHALL BE CONSTRUCTED TO STANDARD SPECIFICATIONS OR OF EQUIVALENT STRUCTURAL STRENGTH AND WELDED TOGETHER WITH A 1/4" INTERMITTENT WELD AT ALL BREAKS, SEAMS, SECTIONS, JOINTS, ETC.
2. THE 1/4" CHECKERED PLATE SHALL BE FASTENED TO THE FRAME WITH AN INTERMITTENT WELD.
3. GRATE SHALL BE CONSTRUCTED TO STANDARD SPECIFICATIONS, WELDED AT ALL BREAKS, SECTIONS, ETC., HINGED TO DRAINAGE PIPE, AND SECURED WITH PADLOCK. GRATE NOT REQUIRED FOR CULVERTS SMALLER THAN 12".
4. WHEN ABUTTING SOIL HAS A HIGH SULFATE CONTENT, SPECIAL CONSIDERATIONS ARE REQUIRED. SEE SPECIFICATIONS (SECTION 16.04).
5. ALL METAL SHALL BE HOT DIPPED GALVANIZED.



APPROVED BY:

DATE: 11/15/04

DIRECTOR OF TRANSPORTATION
GEORGE A. JOHNSON, RCE 42328

COUNTY OF RIVERSIDE

**FLAT OUTLET DRAINAGE
STRUCTURE DETAILS**

REVISIONS	REV.	BY:	APR'D	DATE	REV.	BY:	APR'D	DATE
11-77, 8-82	1				4			
9-88, 11-04	2				5			
	3				6			

STANDARD NO. 303 (2 OF 2)