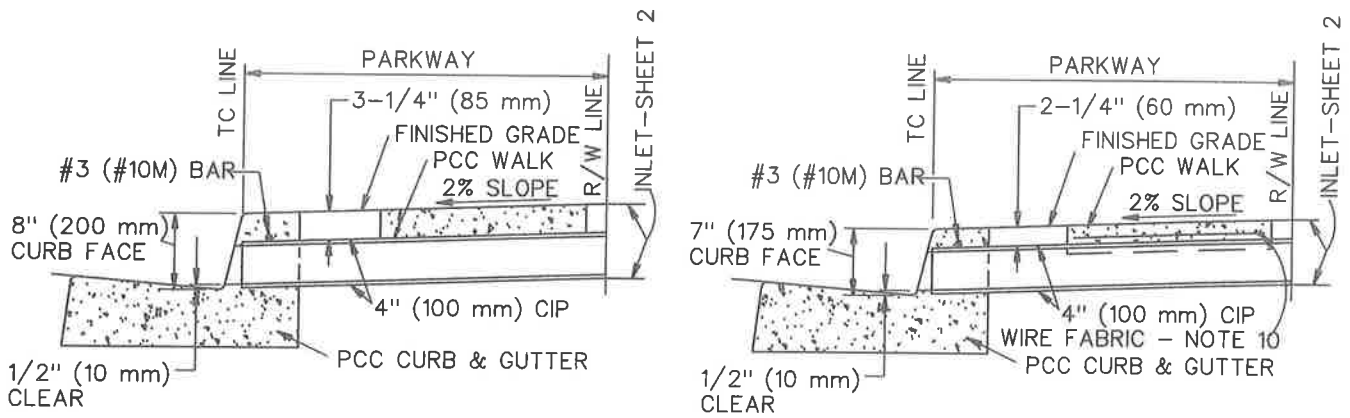
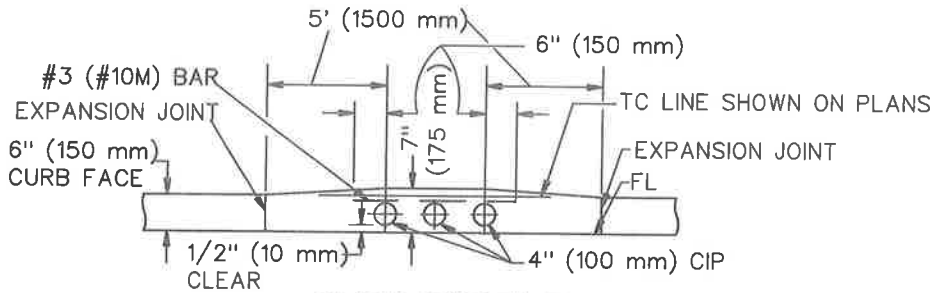


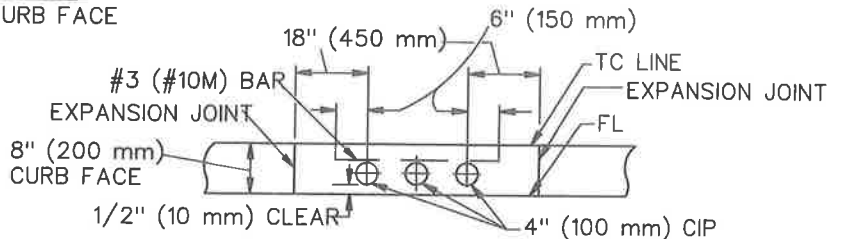
PLAN



SECTION A-A



CURB PROFILE  
 6" (150 mm) CURB FACE



CURB PROFILE  
 8" (200 mm) CURB FACE

NOTE: PROFILES APPLY TO ANY NUMBER OF PIPES

STANDARD PLANS FOR PUBLIC WORKS CONSTRUCTION

PROMULGATED BY THE  
 PUBLIC WORKS STANDARDS INC.  
 GREENBOOK COMMITTEE  
 1984  
 REV. 1992, 1996, 2008, 2021

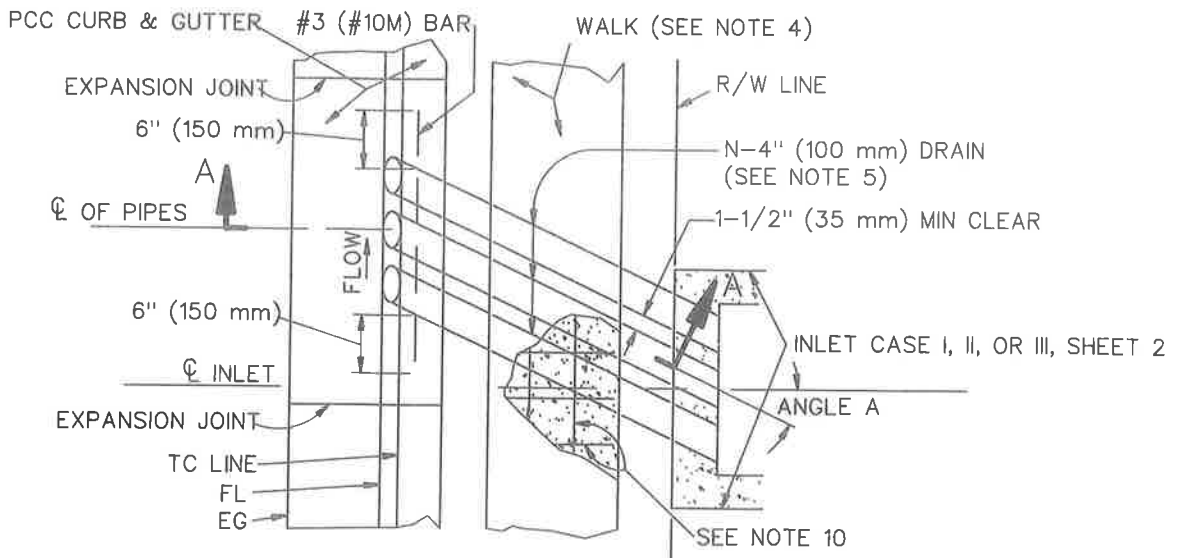
CURB DRAIN

STANDARD PLAN

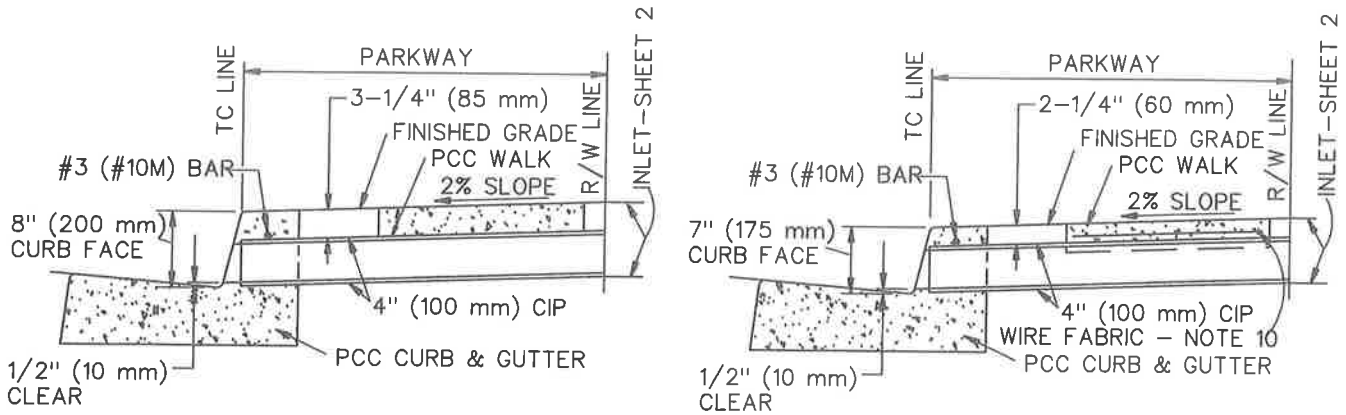
150-4

USE WITH STANDARD SPECIFICATIONS FOR PUBLIC WORKS CONSTRUCTION

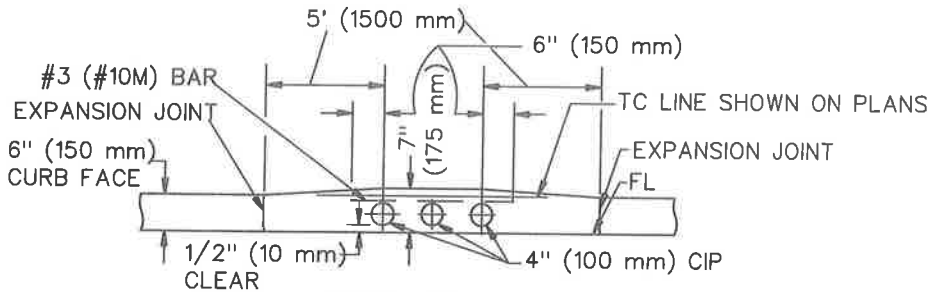
SHEET 1 OF 2



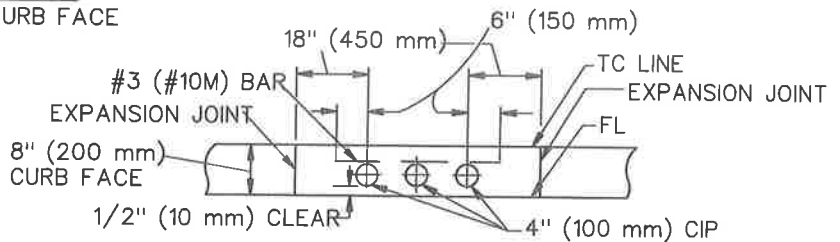
PLAN



SECTION A-A



CURB PROFILE  
 6" (150 mm) CURB FACE



CURB PROFILE  
 8" (200 mm) CURB FACE

NOTE: PROFILES APPLY TO ANY NUMBER OF PIPES

STANDARD PLANS FOR PUBLIC WORKS CONSTRUCTION

PROMULGATED BY THE  
 PUBLIC WORKS STANDARDS INC.  
 GREENBOOK COMMITTEE  
 1984  
 REV. 1992, 1996, 2009, 2021

CURB DRAIN

USE WITH STANDARD SPECIFICATIONS FOR PUBLIC WORKS CONSTRUCTION

STANDARD PLAN

150-4

SHEET 1 OF 2