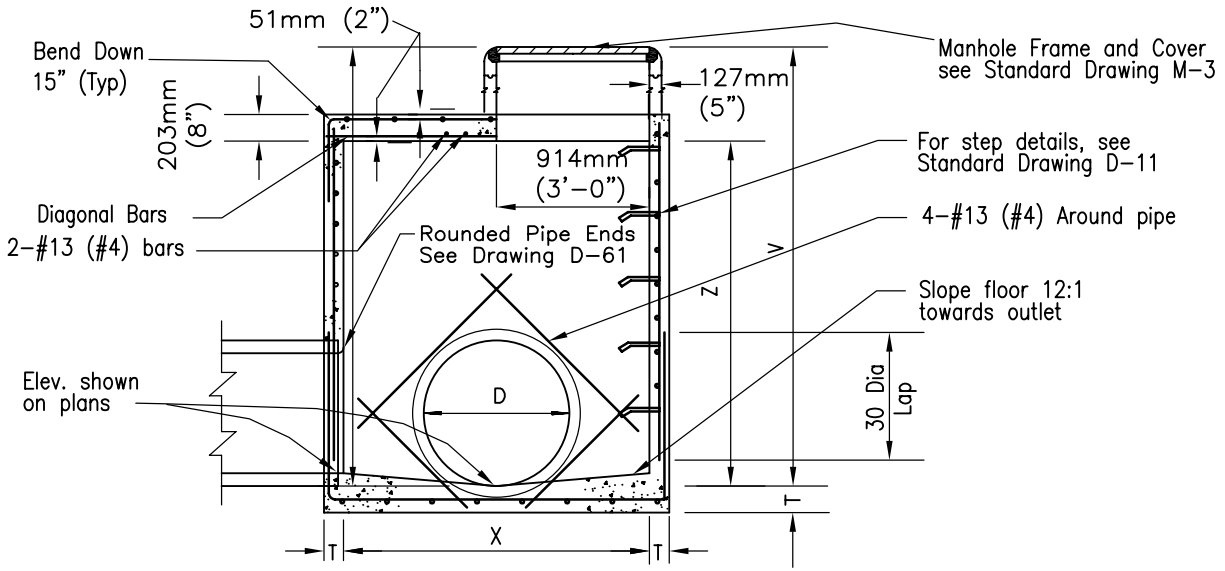
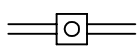


TYPE	PIPE DIA.	X	Y	Z
A 4	up to 991mm (39")	1.22m (4')	1.22m (4')	1.83m (6')
A 5	1.1m (42") to 1.22m (48")	1.52m (5')	1.22m (4')	1.83m (6')
A 6	1.30m (51") to 1.50m (60")	1.83m (6')	1.22m (4')	1.83m (6')
A 7	1.60m (63") to 1.80m (72")	2.13m (7')	1.22m (4')	2.13m (7')
A 8	1.90m (75") to 2.13m (84")	2.44m (8')	1.22m (4')	2.44m (8')



- NOTES**
1. See Standard Drawing D-11 for additional notes and details.
 2. Concrete base shall be 332kg/M²-C-22Mpa (560-C-3250)
 3. All precast components shall be reinforced with 6.35mm (1/4") diameter steel, wound spirally on 102mm (4") centers.
 4. All joints shall be set in Class C mortar.
 5. Maintain 38mm (1 1/2") clear spacing between reinforcing and surface unless otherwise noted.
 6. Exposed edges of concrete shall be rounded with a radius of 13mm (1/2").
 7. Manhole cover to be designated "Storm Drain".

LEGEND ON PLANS



Revision	By	Approved	Date
ORIGINAL		Kercheval	12/75
Add Metric		T. Stanton	03/03
Reformatted		T. Stanton	04/06

SAN DIEGO REGIONAL STANDARD DRAWING

STORM DRAIN CLEANOUT - TYPE A

RECOMMENDED BY THE SAN DIEGO REGIONAL STANDARDS COMMITTEE

T. Stanton 3/11/2003

Chairperson R.C.E. 19246 Date

DRAWING NUMBER **D-9**