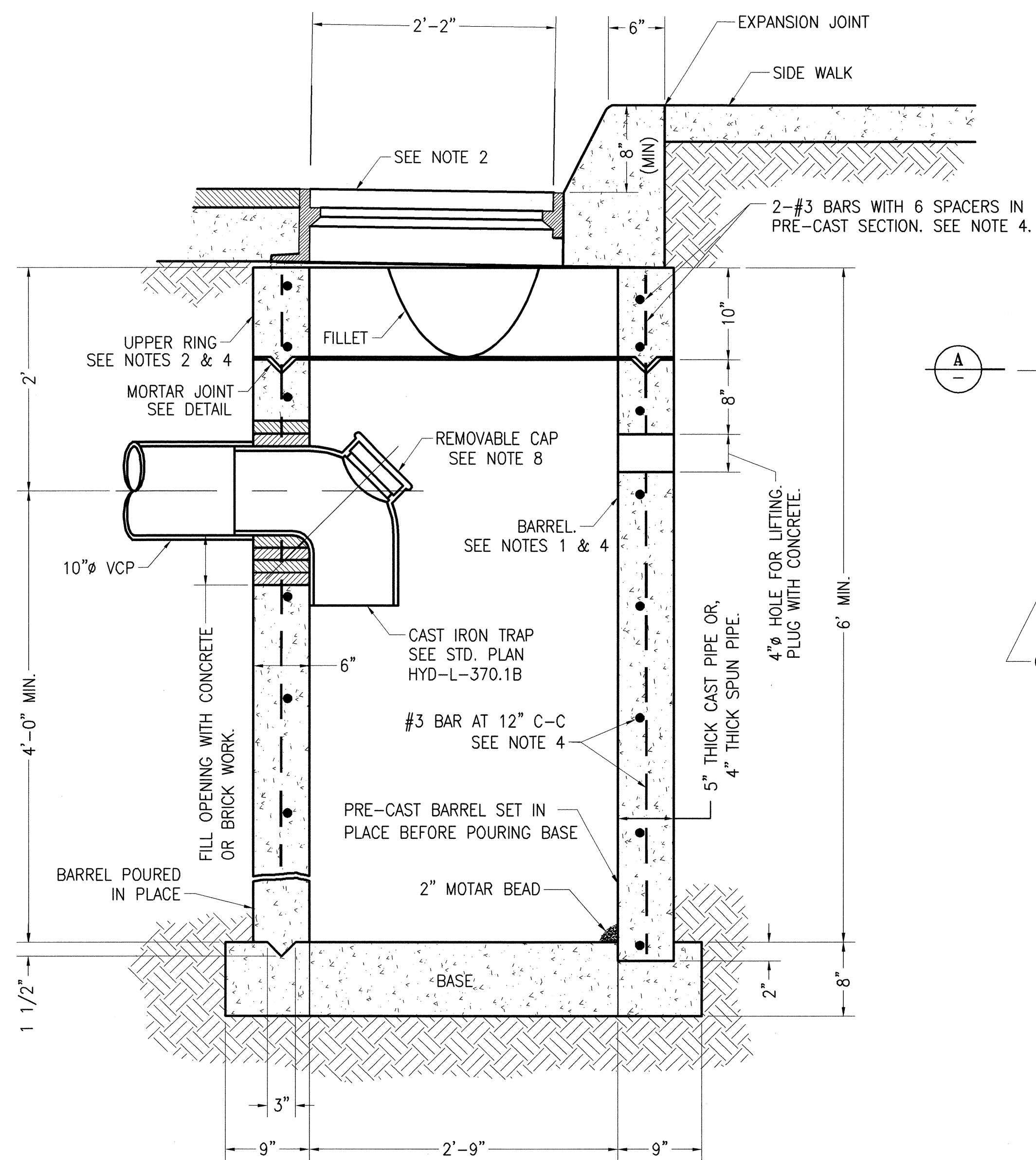
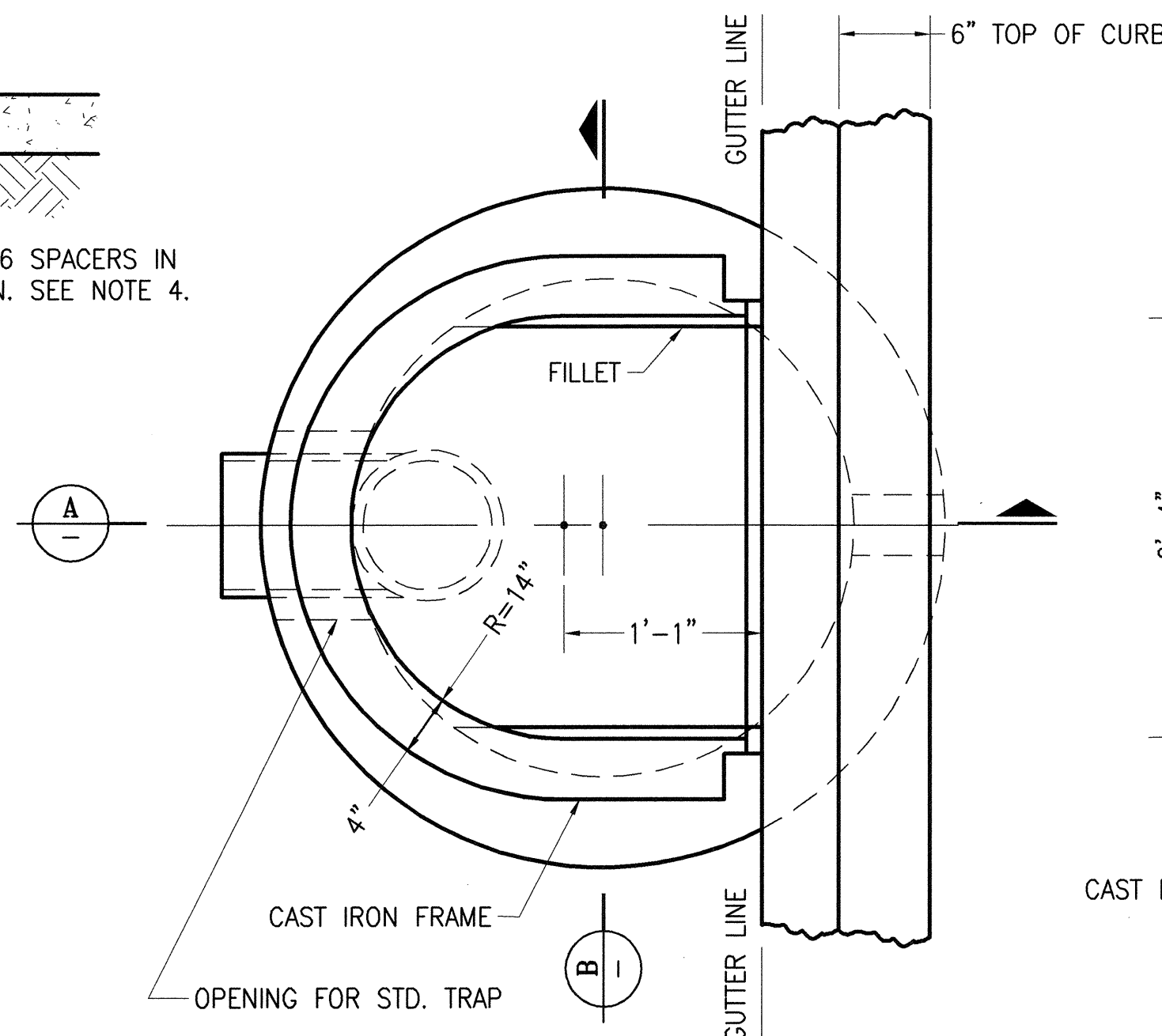


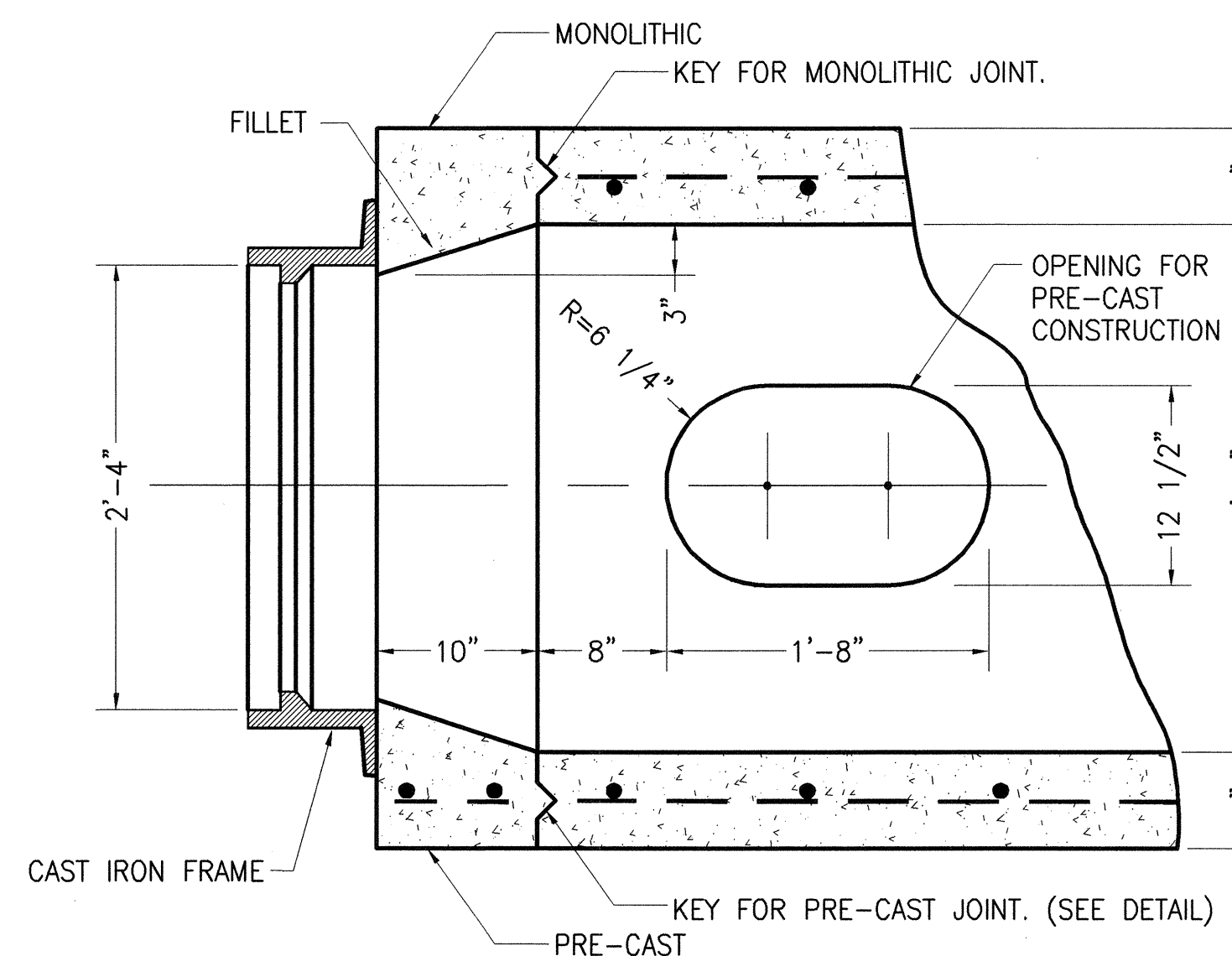
This Standard Plan was developed for use on public works projects in the City and County of San Francisco, and shall not be used without consulting a Registered Professional Engineer. The Department of Public Works reserves the right to make revisions to this Standard Plan at any time.



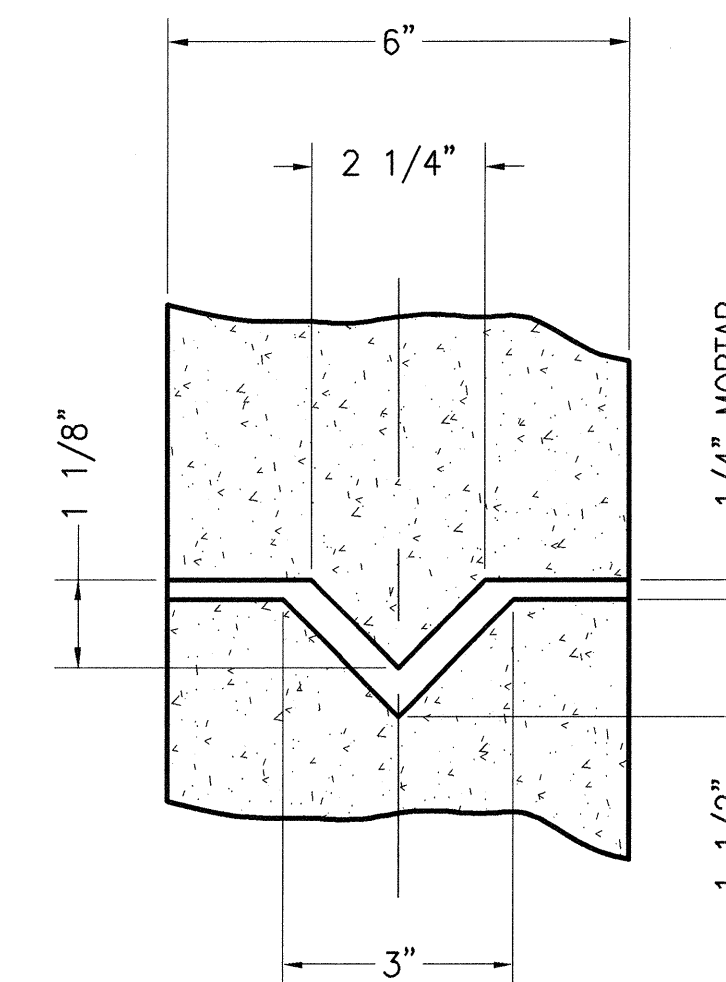
**SECTION A-A**  
SCALE: 1"=10"



**PLAN**  
SCALE: 1"=10"



**SECTION B-B**  
SCALE: 1"=10"



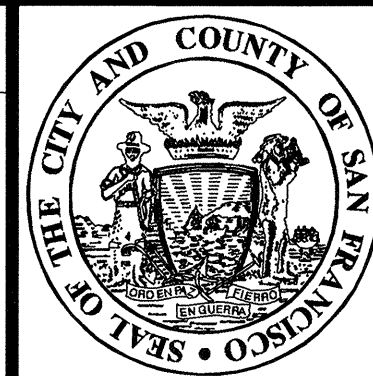
**DETAIL OF KEY**  
NOT TO SCALE

**NOTES:**

- 1) BARREL OF C.B. MAY BE PRE-CAST CONCRETE WITH REINFORCING STEEL AS SHOWN, OR POURED IN PLACE CONCRETE WITHOUT STEEL.
- 2) UPPER RING OF C.B. MAY BE PRE-CAST CONCRETE WITH MATCHING KEY AS SHOWN OR POURED IN PLACE CONCRETE WITHOUT STEEL, OR CONSTRUCTED OF BRICK.
- 3) FOR DETAILS OF CATCH BASIN FRAME AND GRATING SEE STD. PLAN HYD-LL-360 REV. 5
- 4) 4"X4" MESH No.4 X No.4 WIRE MAY BE SUBSTITUTED FOR REINFORCING BARS.
- 5) BASE SHALL BE CONCRETE POURED IN PLACE.
- 6) ALL CONCRETE SHALL BE CLASS 6-3000-3/4.
- 7) FRAME AND GRATES OF CATCH BASINS TO BE INSTALLED IN TRAVELED LANES SHALL CONFORM TO GUTTER ELEVATION.
- 8) CLEANOUT CAP SHALL BE "T" CONE EXPANDABLE CLEANOUT PLUG S-802 OF ETCO SPECIAL PRODUCTS, INC. OR EQUAL.

NO.	DATE	DESCRIPTION	BY	APP.
TABLE OF REVISIONS				
CHECK WITH TRACING TO SEE IF YOU HAVE LATEST REVISION				

REFERENCE INFORMATION & FILE NO. OF SURVEYS



**BUREAU OF ENGINEERING**  
DEPARTMENT OF PUBLIC WORKS  
CITY AND COUNTY OF SAN FRANCISCO

REVIEWED:	DATE:	PLANS APPROVAL DATE:
ID	12/2006	APRIL 30, 2007
DRAWN:	DATE:	
JL	07/2003	
CHECKED:	DATE:	
KS	12/2006	

SECTION MANAGER: *[Signature]* 4/30/07  
DEPUTY BUREAU MANAGER: *[Signature]* 4/30/07  
BUREAU MANAGER: *[Signature]*

<b>STANDARD PLAN</b>	OLD FILE NO.
HYDRAULICS	LL-18,039.1 CH 7
STANDARD CONCRETE CATCH BASIN WITHOUT CURB INLET AND WITH CAST IRON TRAP	FILE NO. 87,188
	REV. NO.