

**EAST JORDAN  
IRON WORKS, INC.**  
P.O. BOX 439  
EAST JORDAN, MI. 49727  
1-800-874-4100  
FAX 231-536-4458

DRAWN SMH	DATE 07/26/00
--------------	------------------

APPROVED	DATE
----------	------

# COVER

PRODUCT NO.

**418600CAL**

CATALOG NO.

**V-1860**

REF. PRODUCT DRAWING

41860021

EST. WT.

COVER: 80 LBS 36kg

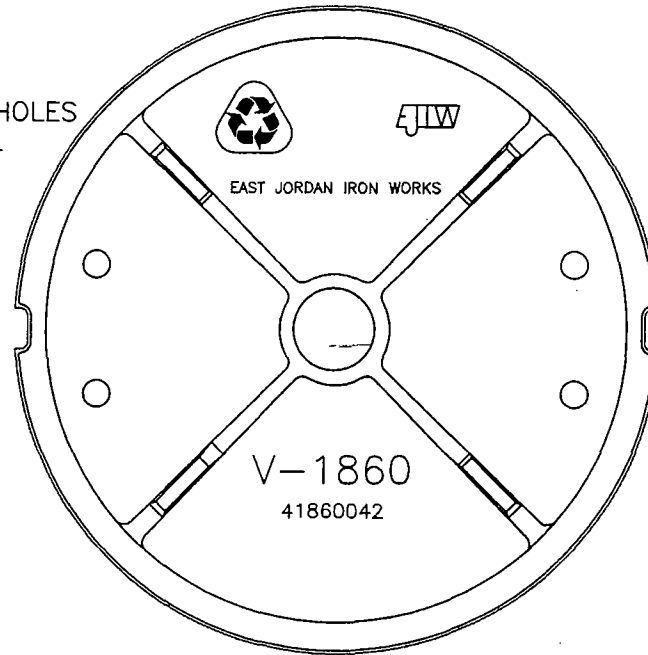
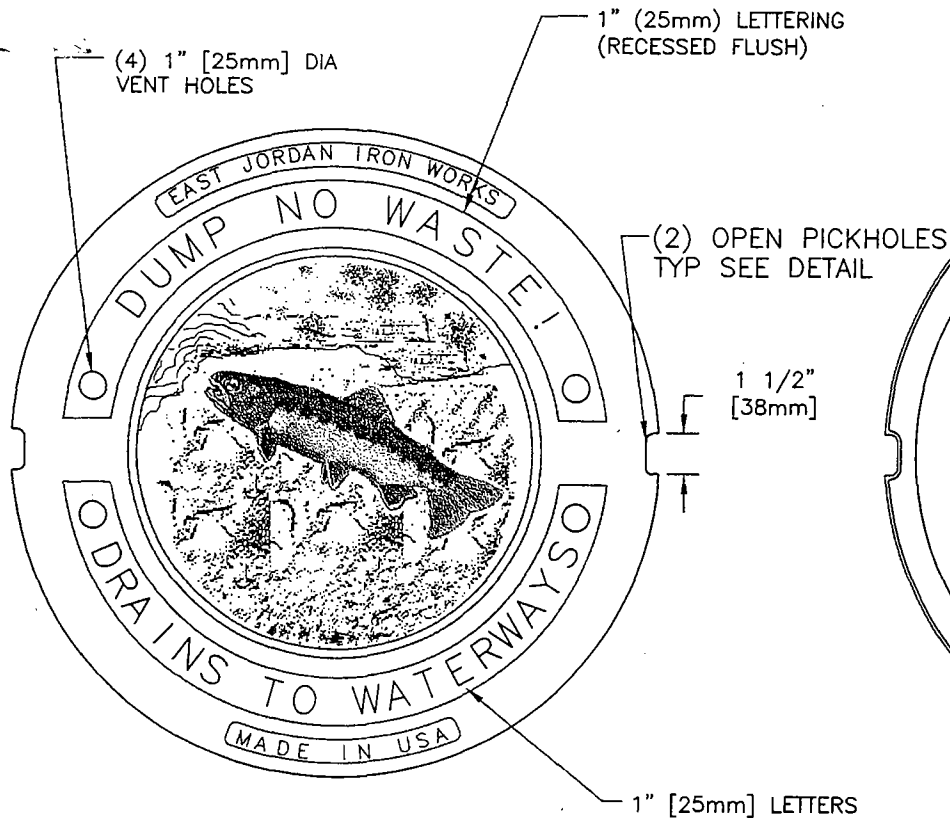
OPEN AREA  
N/A

MAT'L SPEC.

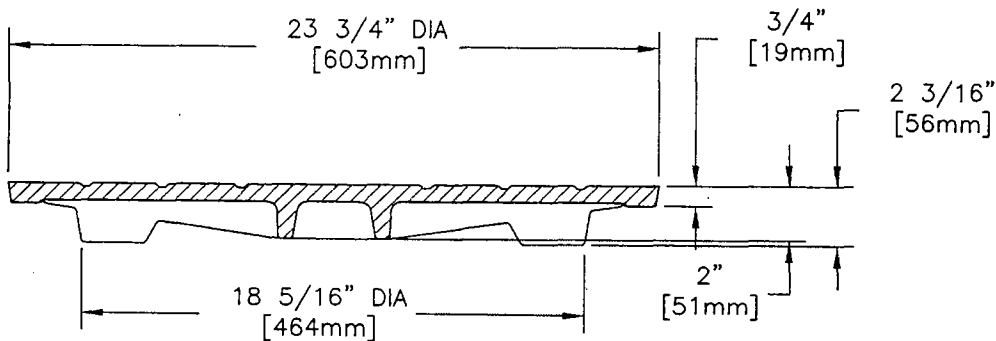
COVER - GRAY IRON  
ASTM A48 CL35

LOAD RATING

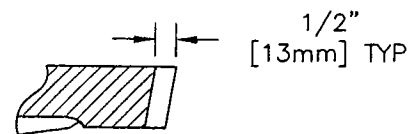
**NON TRAFFIC**



## BOTTOM VIEW



## COVER SECTION



## OPEN PICKHOLE DETAIL