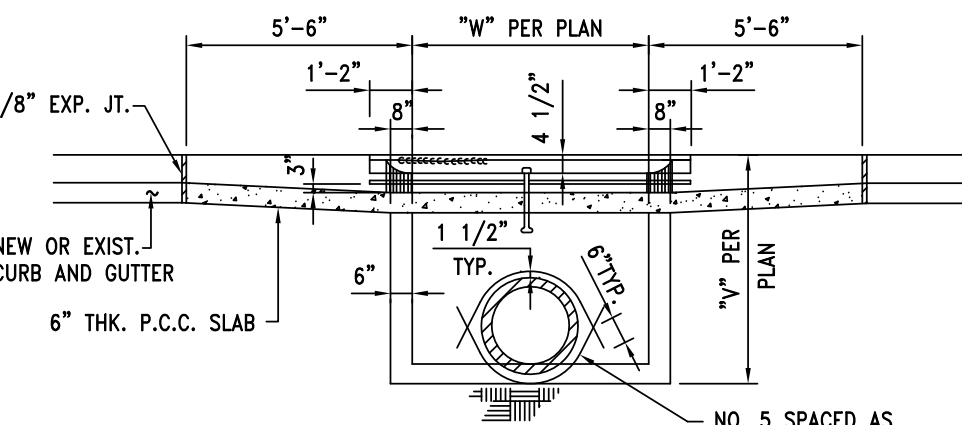
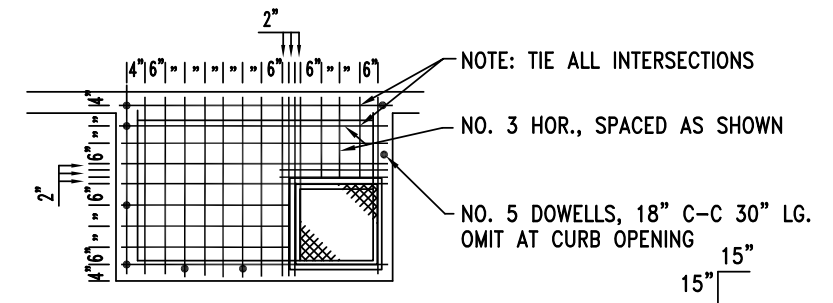


DROP INLET STRUCTURE PLAN

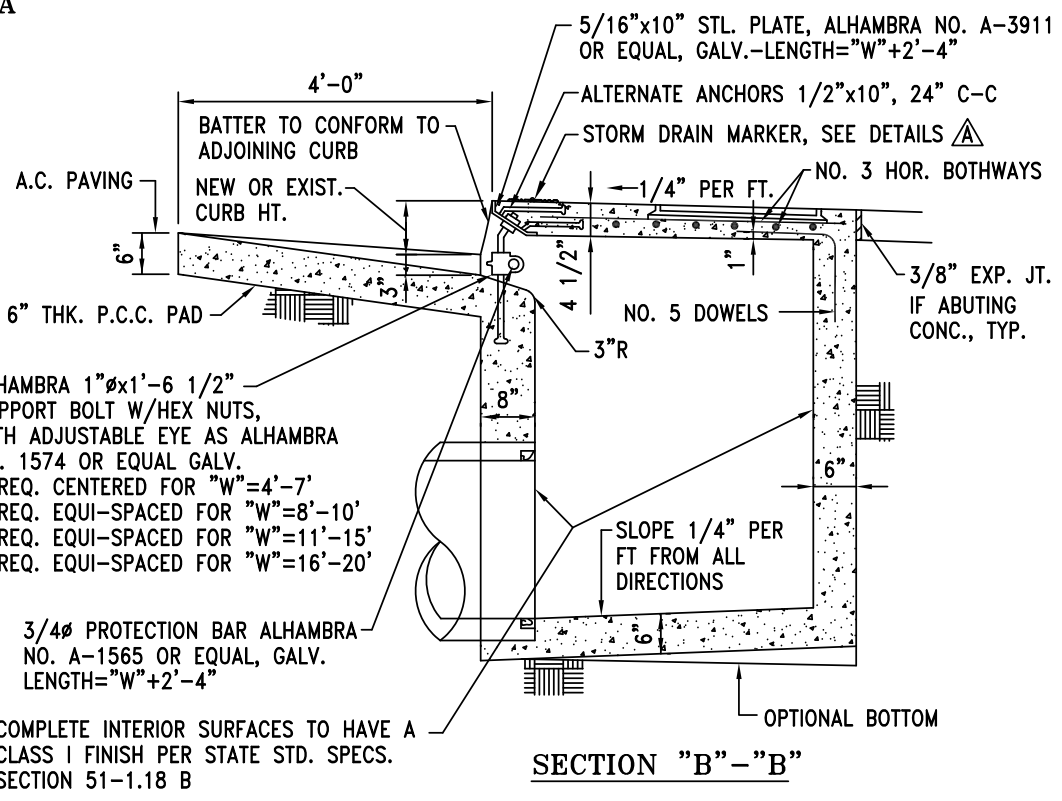


SECTION "A"- "A"



- GENERAL NOTES:**
1. USE CLASS "A" 6 SK. P.C.C. THROUGHOUT.
 2. METHODS MATERIALS, & WORKMANSHIP PER CITY STD. SPEC. FOR MATERIALS AND INSTALLATION OF STORM DRAINAGE PIPELINES.
 3. TOP SLAB STEEL TO BE EXTENDED TO WITHIN 1-1/2" OF OUTSIDE FACE OF WALLS.



TOP SLAB REINFORCING PLAN FOR DROP INLET STRUCTURE



SECTION "B"- "B"

 DAVID J. WHITEHEAD LIC: 47974 EXP. 12/31/07 DATE 11/07/07			City of Santa Maria Standard Drawing		
REVISIONS BY APP DATE A ADDED STORM DRAIN MARKER CJP SS 11/07/07			DESCRIPTION: DROP INLET STRUCTURE (SUMP)		
DRAWN BY: L.U.		DATE DRAWN: 12/74		SCALE: NONE	
			STANDARD NUMBER DR-10.2		
				SHEET 2 OF 4	