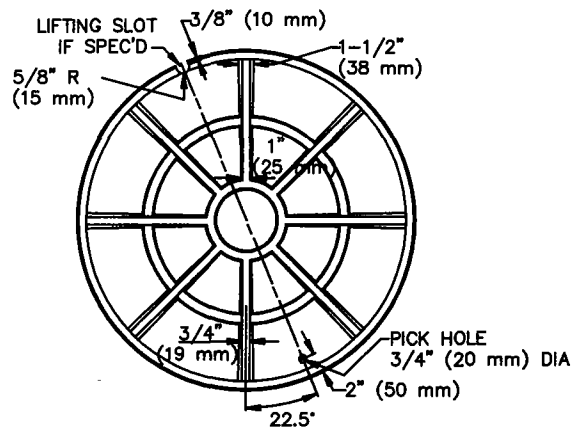
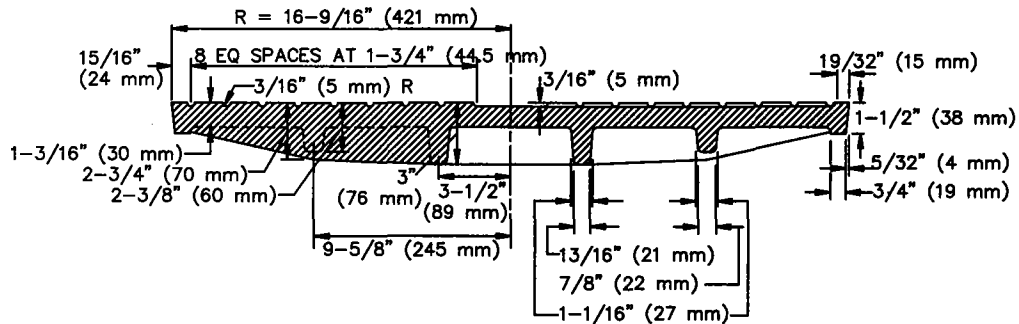


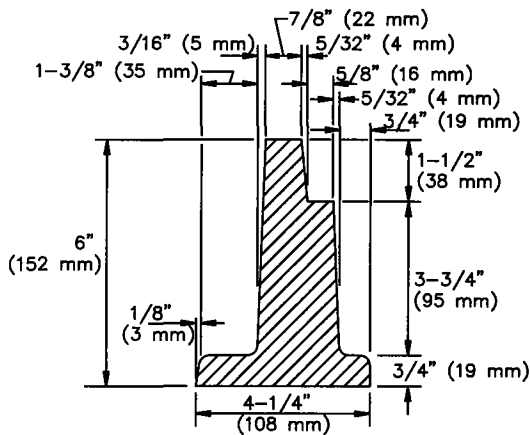
TOP OF COVER



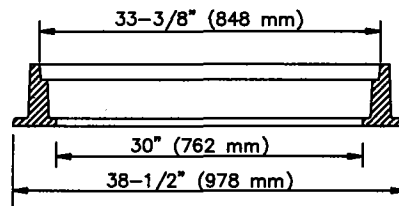
BOTTOM OF COVER



SECTION A-A



FRAME DETAIL



SECTION THRU FRAME

STANDARD PLANS FOR PUBLIC WORKS CONSTRUCTION

PROMULGATED BY THE
PUBLIC WORKS STANDARDS INC.
GREENBOOK COMMITTEE
1984
REV. 1996, 2009

**30" (762 mm) MANHOLE FRAME
AND COVER**

STANDARD PLAN

632-3

USE WITH STANDARD SPECIFICATIONS FOR PUBLIC WORKS CONSTRUCTION

SHEET 1 OF 2