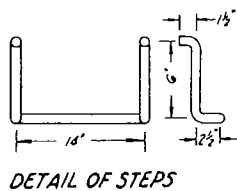
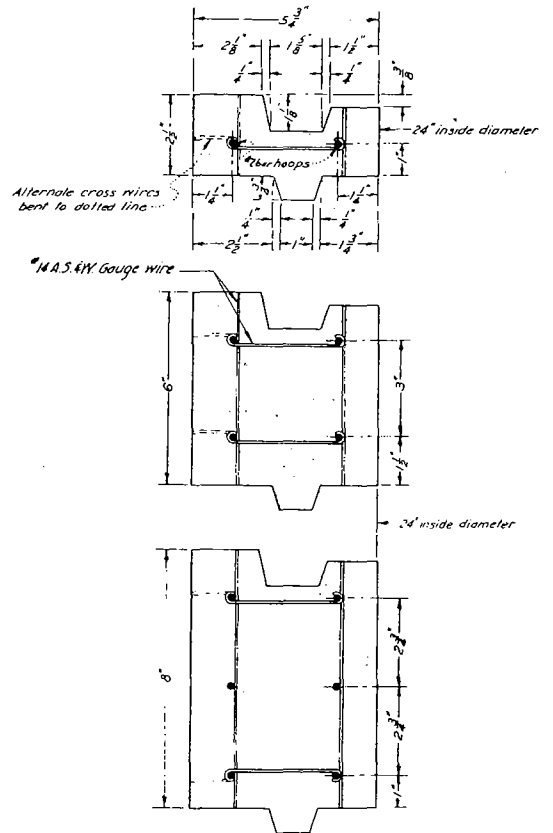
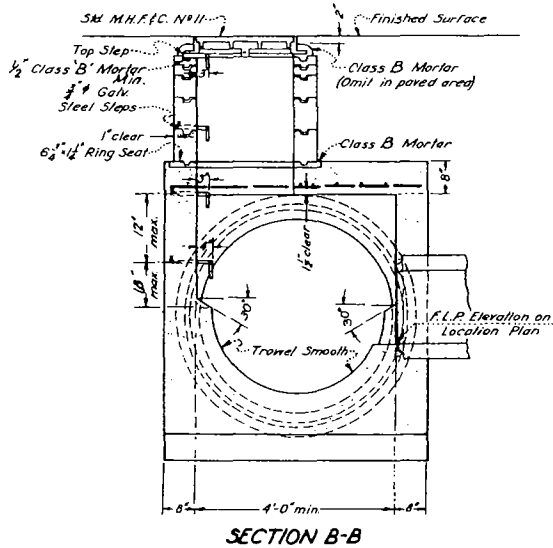
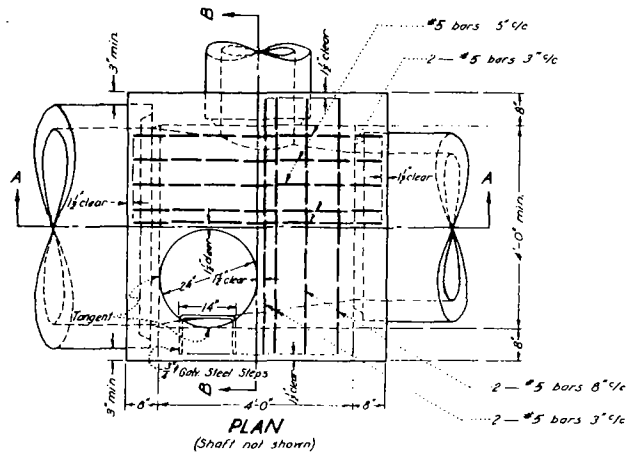
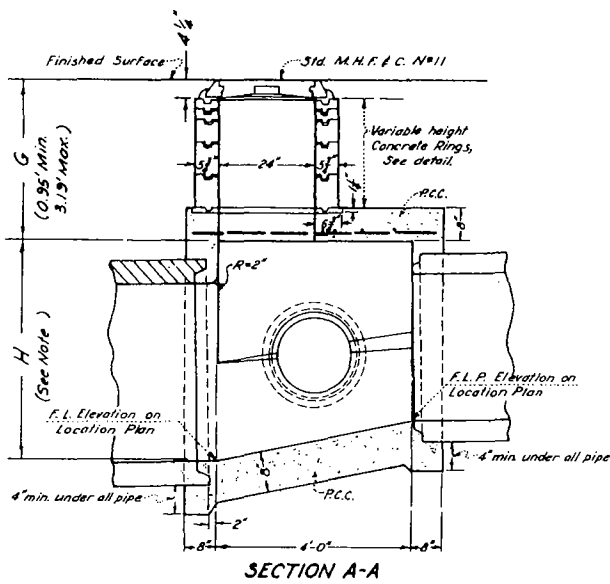


DRAWN BY: C.E. WHITE, 11-53. CHECKED BY: DUTHIE, 11-53.  
 REV. 11-76 DELETED: "USE M.H. NO. 3 FOR THIS CASE."



NOTES:  
 M.H. No. 6 shall not be used when depth from finished surface to the top of the highest pipe is greater than 3.15'.  
 Round edges of outlet to 2" radius.  
 Steps shall meet the requirements as specified for reinforcing steel.  
 Steps shall be spaced 12" max.  $\frac{1}{4}$ " from lowest step which is not more than 10" above shelf. Top step shall not be more than 12" nor less than 5" from top of cover and project 2".  
 All reinforcing steel in base structure shall be 1" clear from face of concrete.  
 Concrete rings for access shall be sealed in class B mortar and neatly pointed or wiped inside shaft.  
 'H' shall be 4'-0" Min. for values of 'G' greater than 0.95'. 'H' may be less than 4'-0" when 'G' is 0.95'.

LOS ANGELES COUNTY ROAD DEPARTMENT

MANHOLE No 6

STANDARD PLAN

72-06

APPROVED

*J. J. Morke*

1 Dec 67

ROAD COMMISSIONER

DATE