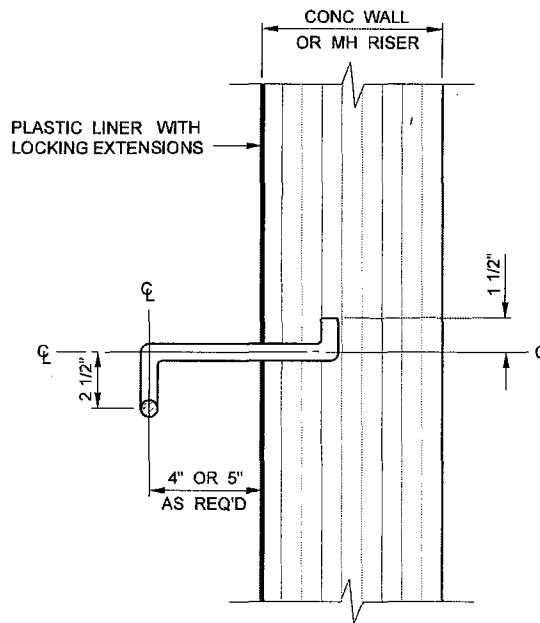
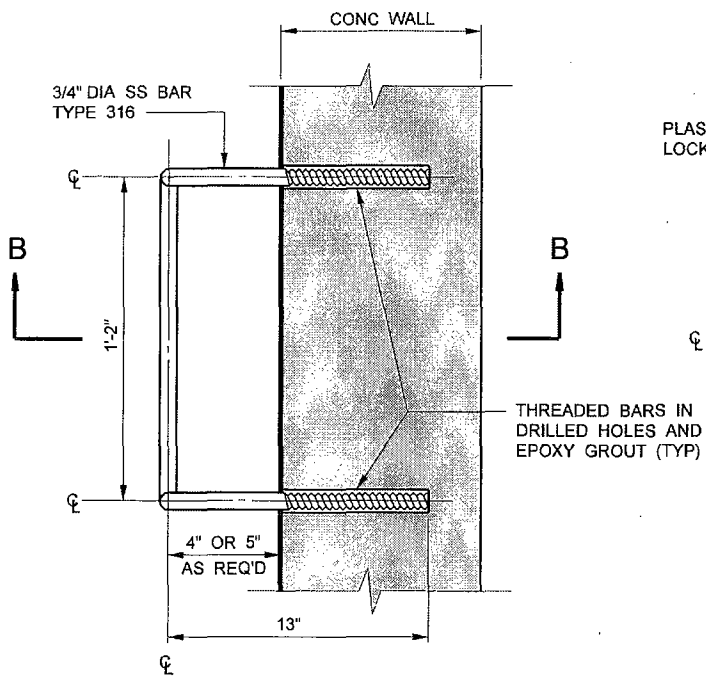


PLAN

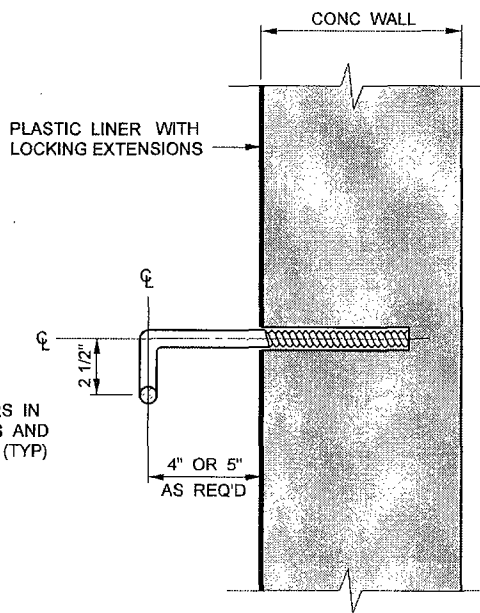


SECTION A-A

TYPE I MANHOLE STEP



PLAN



SECTION B-B

TYPE II MANHOLE STEP

COUNTY SANITATION DISTRICTS OF LOS ANGELES COUNTY
OFFICE OF CHIEF ENGINEER

STEPHEN R. MAGUIN
CHIEF ENGINEER

STANDARD MANHOLE STEP

STANDARD DRAWING
2006 EDITION
S - a - 209
SHEET 1 OF 1