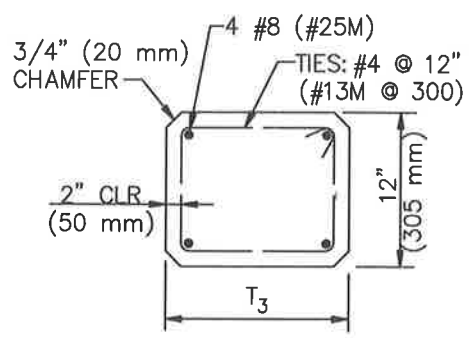
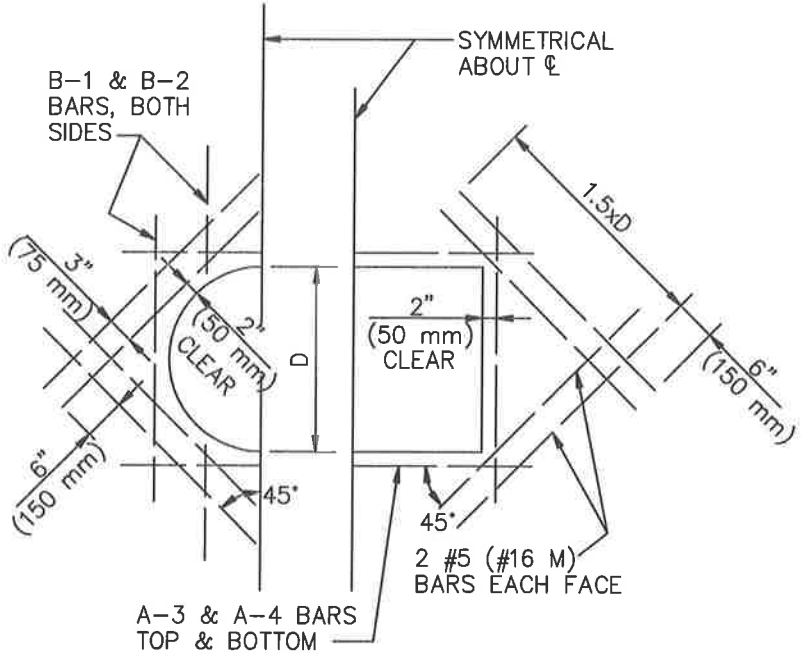


PIPE OR BOX PER PLANS. MAX INLET PIPE SLOPE = 0.10. SEE PLANS REGARDING NEED FOR THRUST BLOCK &/OR PCC COLLAR.

4" OR 6" FILLET (100 OR 150 mm), TYP

ARMOR PLATES SEE SHEET 7

SECTION A-A



NOTE: ARMOR PLATE NOT SHOWN.

SECTION G-G