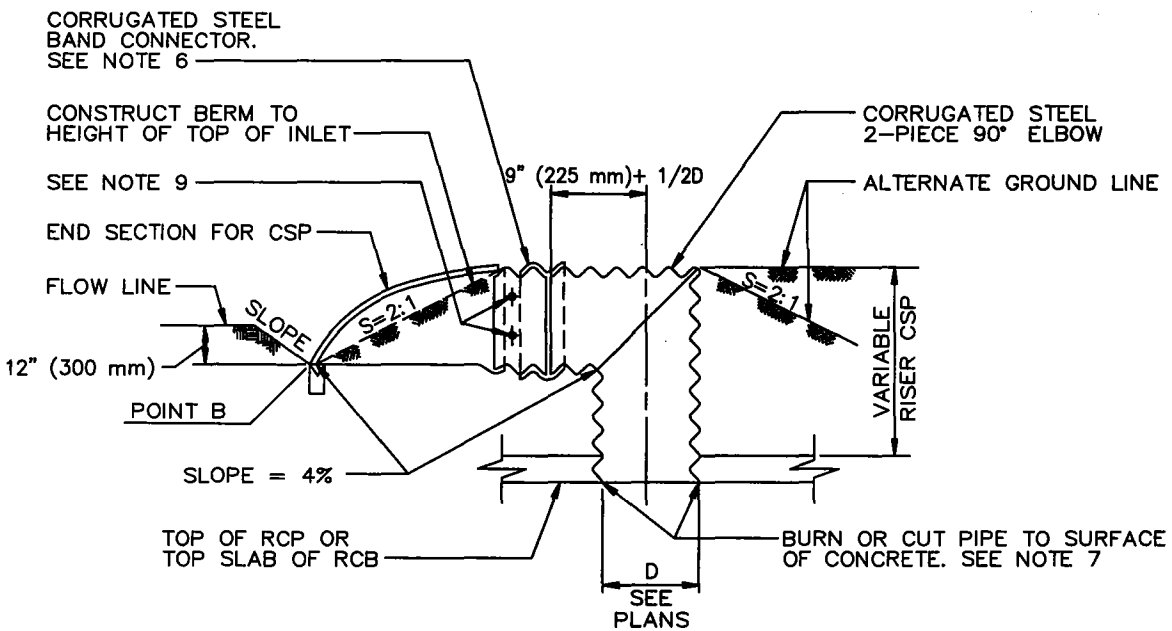


SECTION A-A (SHEET 1)
CASE 2



SECTION A-A (SHEET 1)
CASE 3